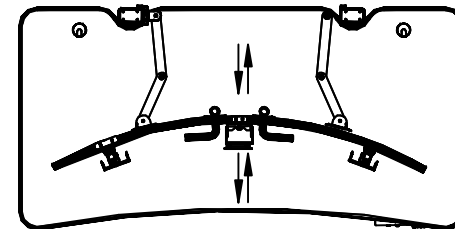
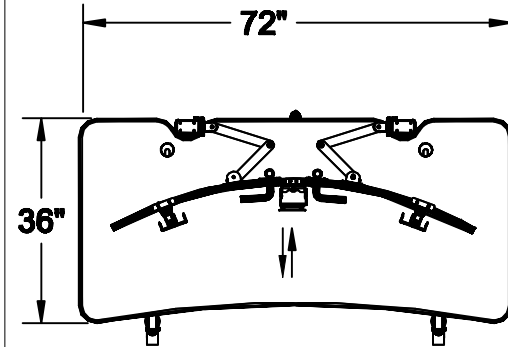


ISOMETRIC VIEW



NOTES :

MATERIAL :

DRAWN BY: BD/VGM

DATE: 07/11/14

DESCRIPTION :

Ergo Tier Cart

APPROVED

SKU NUMBER :

772444

TOLERANCES UNLESS OTHERWISE SPECIFIED

FRACTIONAL ±1/64

2 PLC. DEC. ±.01

3 PLC. DEC. ±.001

ANGULAR

FINISH



ENG :

MFG :

QA :

SCALE: ~3/4" = 1' - 0"

SHEET: 1 OF 1

PATH :

F.ASSY/MAXFLEX/ET

PDF NAME:

XET7236_ARC_B_01

REV: SIZE

. A