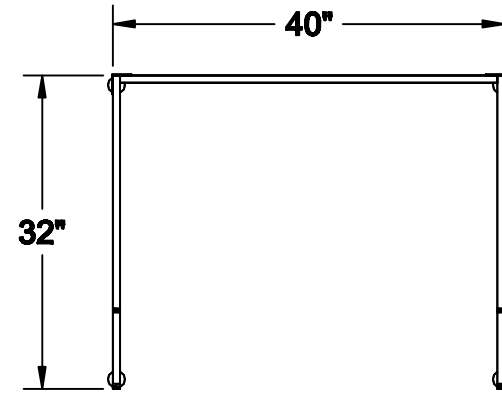
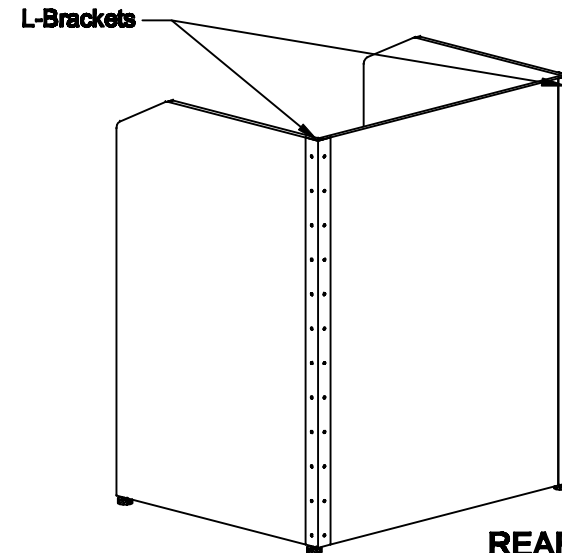


**ISOMETRIC VIEW**



**TOP VIEW**



**REAR ISO VIEW**

**NOTES :**

**MATERIAL :**

TOLERANCES UNLESS OTHERWISE SPECIFIED

FRACTIONAL ±1/64

2 PLC. DEC. ±.01

3PLC. DEC. ±.001

ANGULAR

FINISH



**DRAWN BY: YN**

**DATE: 04/05/16**

**DESCRIPTION :**

**Partition**

**SKU NUMBER :**

**772368**

**PATH :**

**V.F.Assy\Accessories\Partition\**

**PDF NAME:**

**772368\_Partition Wood\_403248\_01**

**REV: SIZE**

**1 A**

**APPROVED**

**ENG :**

**MFG :**

**QA :**

**NOT TO SCALE**

**SHEET : 1 OF 1**