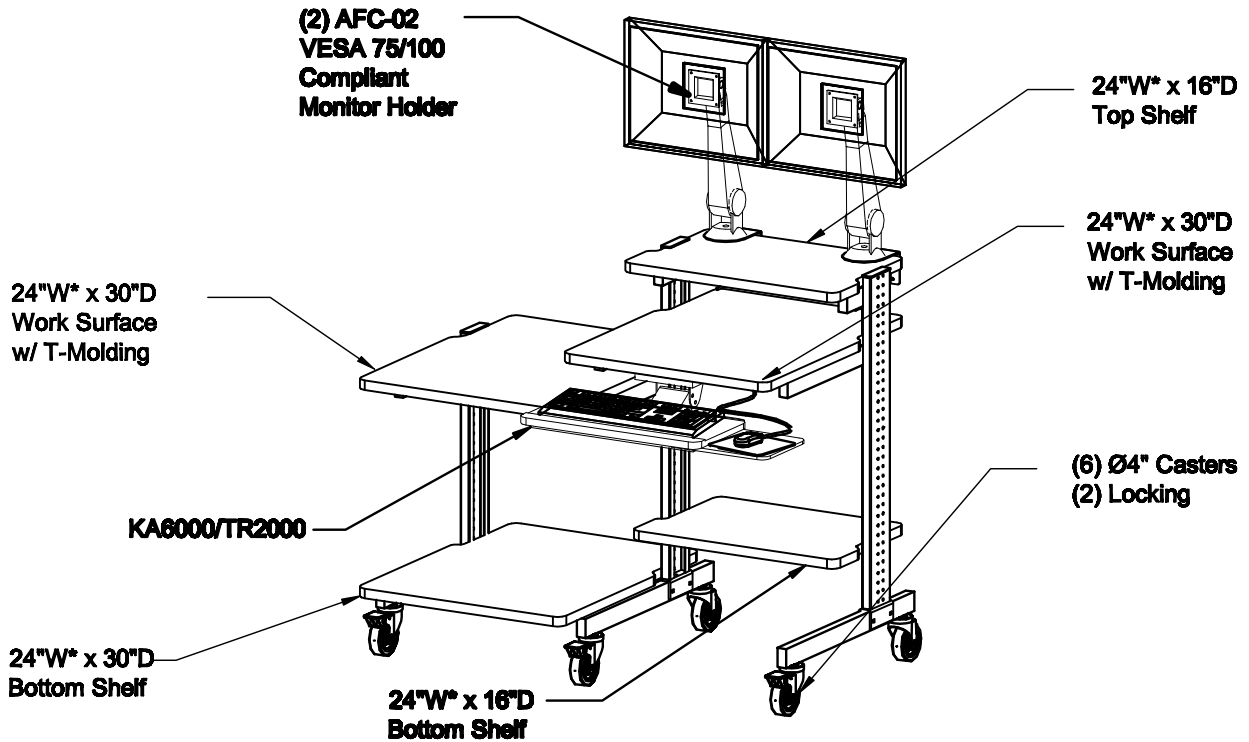
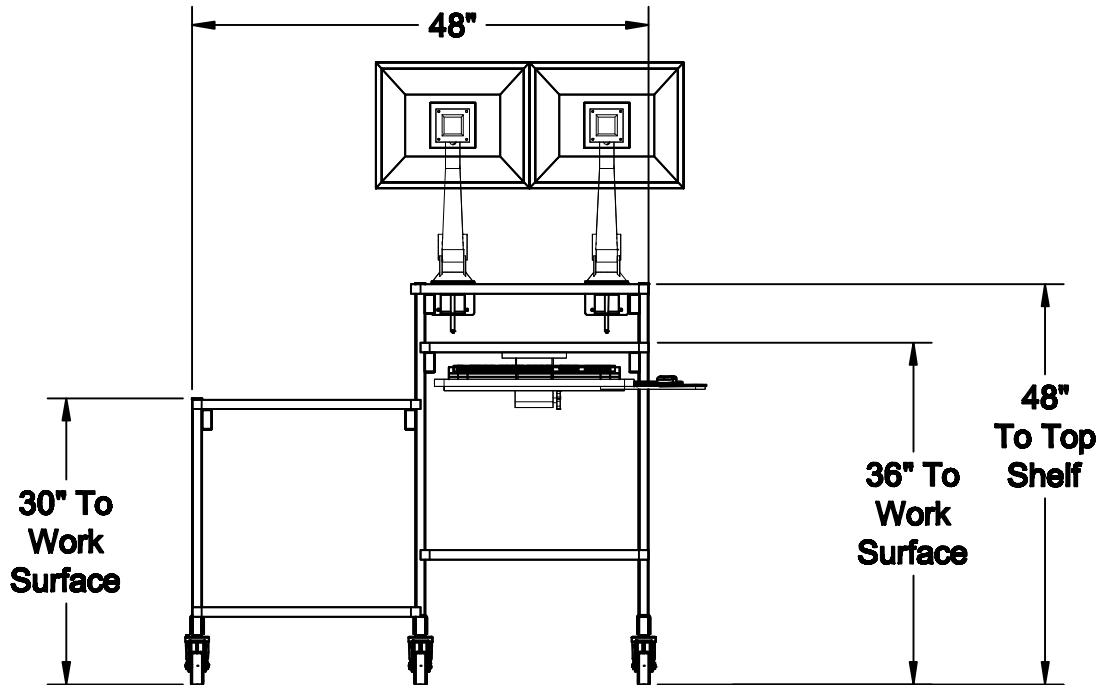


ISOMETRIC VIEW



FRONT VIEW



NOTE:
Dimension Tolerance is +/- 1"

| | | | |
|---|------------------|----------------|--|
| MATERIAL : | DRAWN BY : PK/YN | DATE: 04/18/12 | DESCRIPTION : |
| | A P P R O V E D | | OMNIBUS |
| TOLERANCES UNLESS OTHERWISE SPECIFIED FRACTIONAL ±1/64 2 PLC. DEC. ±.01 3PLC. DEC. ±.001 ANGULAR ±.5° FINISH √ | ENG : | | SKU NUMBER : 772311 |
| | MFG : | | PATH : \FinalAssemblies\Omnibus\OB 4800\ |
| | QA : | | PDF NAME: OB483048_T_S_1620_2F_0_T_B_01 |
| | SCALE: N.T.S. | SHEET : 1 OF 1 | |