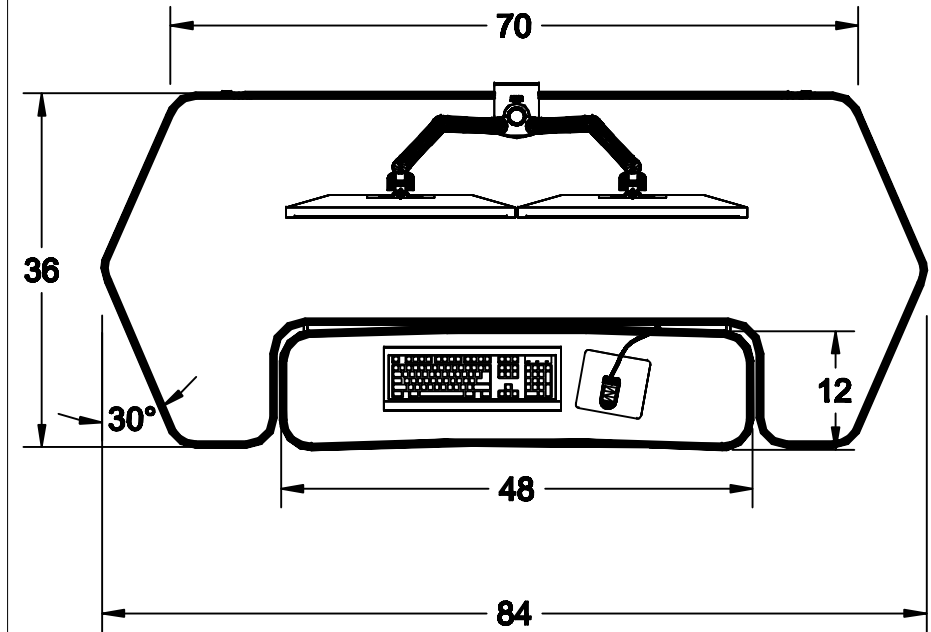


ISOMETRIC VIEW



TOP VIEW
SCALE: 1/2" = 1' - 0"

NOTES :	MATERIAL :	DRAWN BY : BD/JK/LV	DATE: 09/21/16	DESCRIPTION :
	TOLERANCES UNLESS OTHERWISE SPECIFIED FRACTIONAL ±1/64 2 PLC. DEC. ±.01 3PLC. DEC. ±.001 ANGULAR ±.5° FINISH √	A P P R O V E D		SmartCart 843630
		ENG :		SKU NUMBER :
		MFG :		772300
		QA :		PATH :
		SCALE : N.T.S.	SHEET : 1 OF 1	SmartCarts\Custom Shapes
				NUMBER :
				SC843630_B_EH_1701_1FZ_0_0_F_000_01