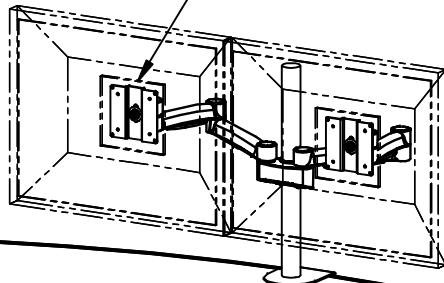


18" Pole with AFCZ5-88-2
VESA 75/100 Compliant
Monitor Holder

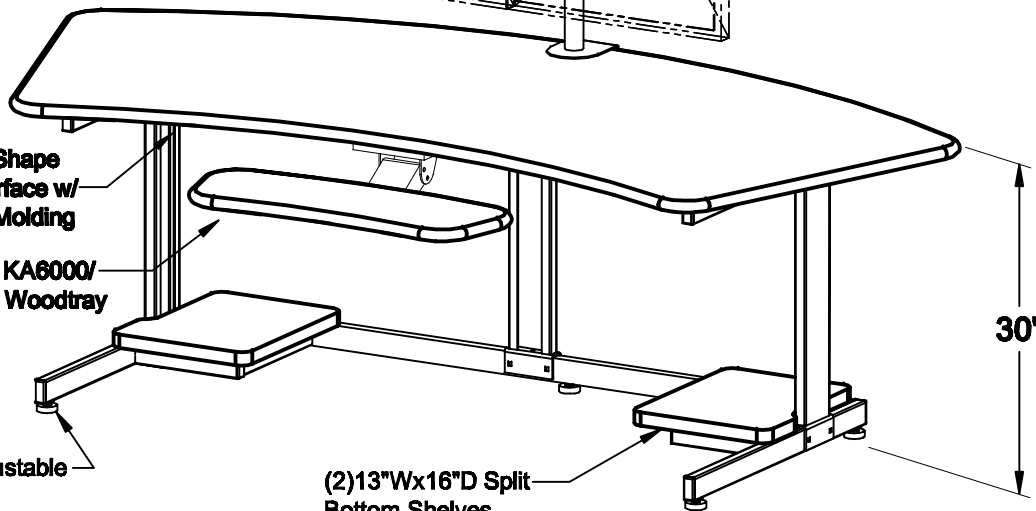


Custom Shape
Work Surface w/
Bumper Molding

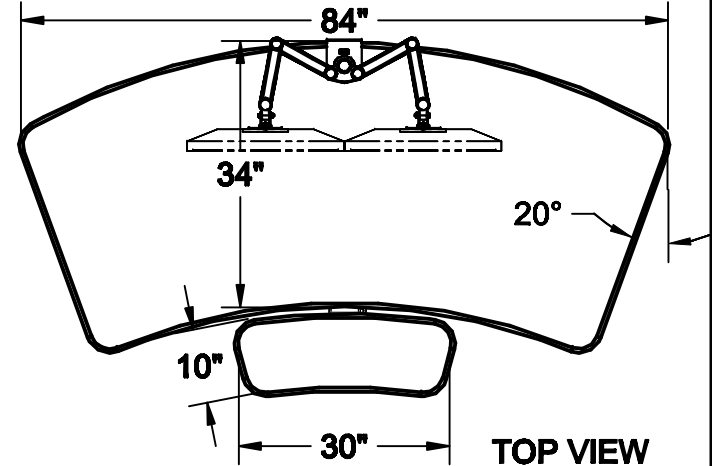
KA6000/
Woodtray

(5)Adjustable
Glides

(2)13"Wx16"D Split
Bottom Shelves



30"



TOP VIEW
SCALE: 1/2" = 1' - 0"

ISOMETRIC VIEW

NOTES :	MATERIAL :	DRAWN BY: YNBD	DATE: 9/14/16	DESCRIPTION :
	TOLERANCES UNLESS OTHERWISE SPECIFIED FRACTIONAL ±1/64 2 PLC. DEC. ±.01 3PLC. DEC. ±.001 ANGULAR FINISH	APPROVED		Smart Cart Custom Shape
		ENG :		SKU NUMBER : 772299
		MFG :		PATH : \\Fin.Assy\Carts\Smart Carts\Custom Shape\
		QA :		PDF NAME: XSC843430g_B_CS_16WT_2FZ_0_0_SB_01
		SCALE: 3/4" = 1' - 0"	SHEET: 1 OF 1	SIZE A4