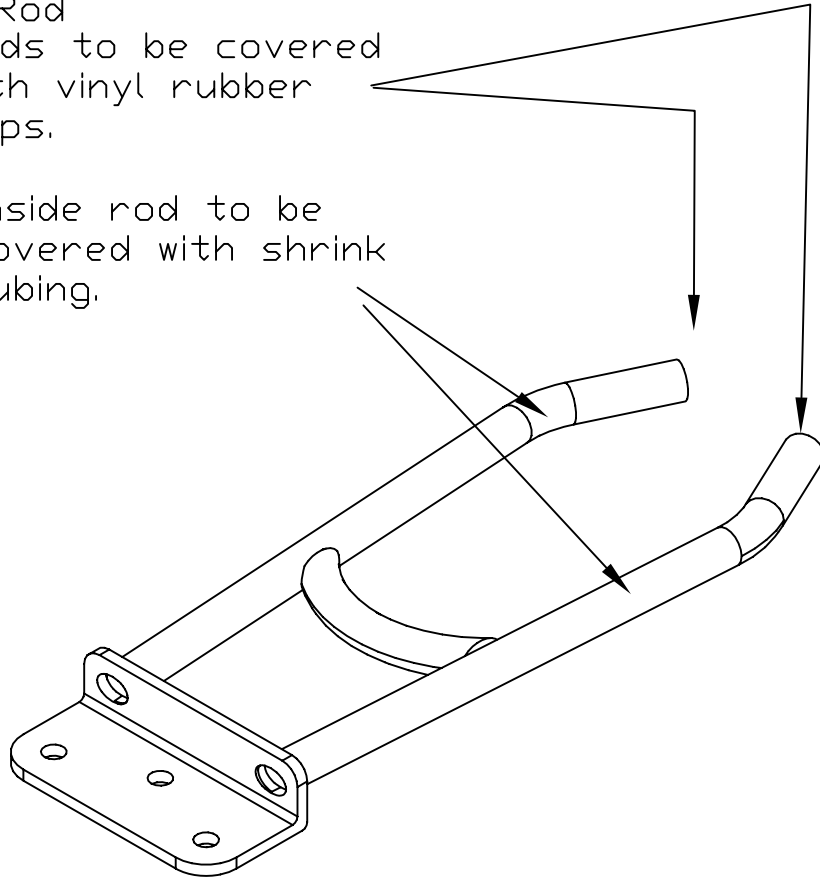


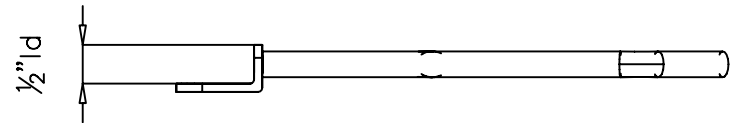
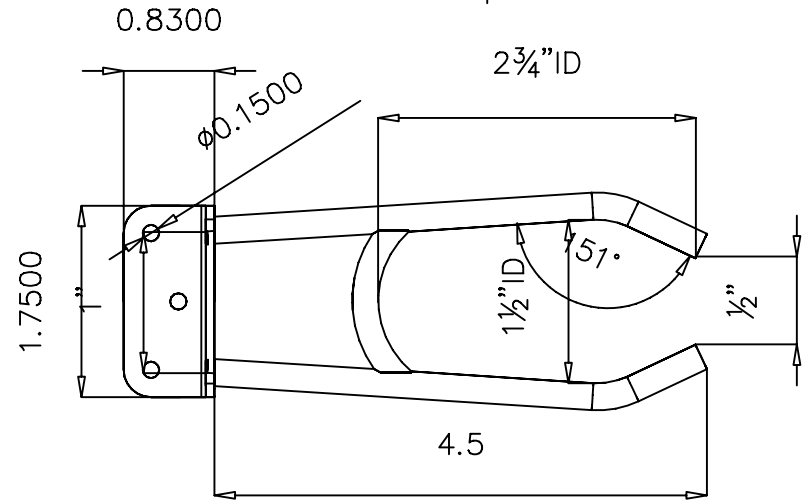
1/4" Rod ends to be covered with vinyl rubber caps.

Inside rod to be covered with shrink tubing.



Color: White

(3) 10-32 machine screws and nuts to be provided.



NOTES :	MATERIAL :	DRAWN BY :	DATE:	DESCRIPTION :
	11 ga Al	VGM	01-25-06	
	TOLERANCES UNLESS OTHERWISE SPECIFIED	A P P R O V E D		USED ON :
	FRACTIONAL ±1/64 2 PLC. DEC. ±.01 3PLC. DEC. ±.001 ANGULAR ±.5° FINISH √	ENG :		PATH :
	MFG :		Accessories\scanner holder\	
	QA :		PDF NAME: SCAN 3	FOLDER :
	SCALE : N.T.S.	SHEET :		REV: SIZE
				A