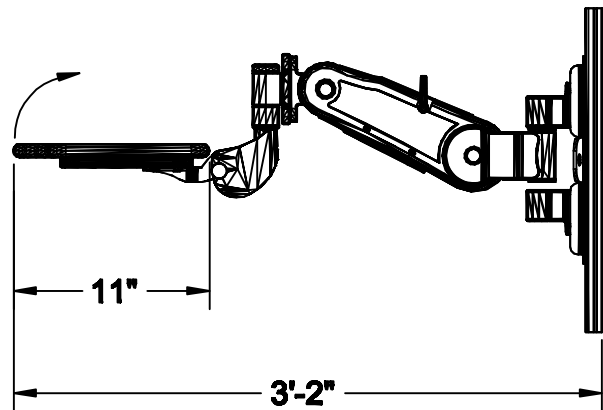


SIDE VIEW
Arm Fully Extended



MATERIAL :	DRAWN BY: YN/BD/LV	DATE: 03/18/16	DESCRIPTION :
	A P P R O V E D		Wall Mount
TOLERANCES UNLESS OTHERWISE SPECIFIED FRACTIONAL ±1/64 2 PLC. DEC. ±.01 3PLC. DEC. ±.001 ANGULAR FINISH	ENG:		SKU NUMBER :
	MFG:		772214
	QA:		PATH :
	SCALE: ~1-1/2" = 1' - 0"	SHEET: 1 OF 1	WM18_AFC7808K_01