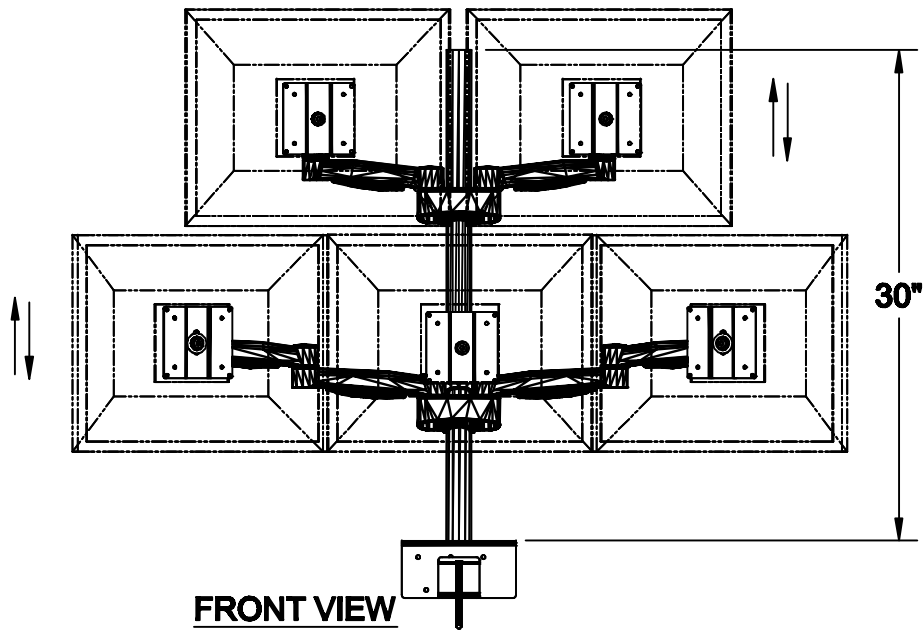


ISOMETRIC VIEW



FRONT VIEW

MATERIAL :	DRAWN BY : PR/YN	DATE: 12/16/13	DESCRIPTION :	
	A P P R O V E D		Monitor Arm-Desktop Mount	
TOLERANCES UNLESS OTHERWISE SPECIFIED FRACTIONAL ±1/64 2 PLC. DEC. ±.01 3PLC. DEC. ±.001 ANGULAR ±.5° FINISH √32	ENG :		SKU NUMBER :	
	MFG :		772185	
	QA :		PATH : Accessories/Monitor Arms/Z Series/	
	SCALE: N.T.S.	SHEET : 1 OF 1	NUMBER : AFCZ588-05-DMC-30P	LAYER :