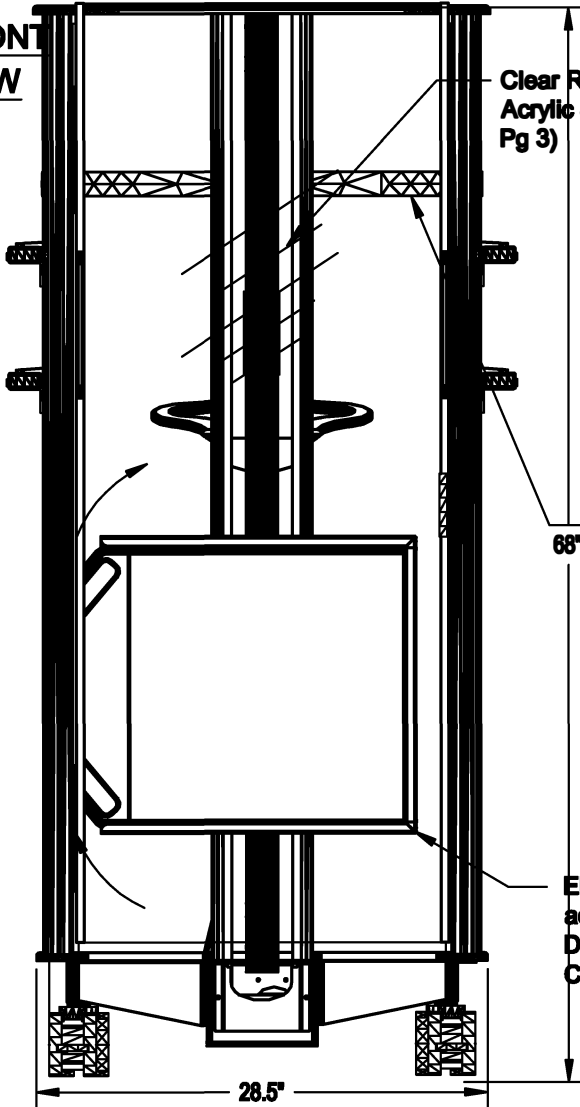


**FRONT VIEW**



Clear Removable Acrylic Shield( See Pg 3)

- Detector and Grid can move from 8" to 47" from floor
- Independent detector and grid holders allows for insertion and removal of detector without removing the grid
- Detector and grid can be rotated 90° in either portrait or landscape
- Straps and acrylic lean guide help the patient stay in position
- Small footprint with large 4" wheels provides for easy movement from room to room with detector and grid in place
- Acrylic shield can be removed

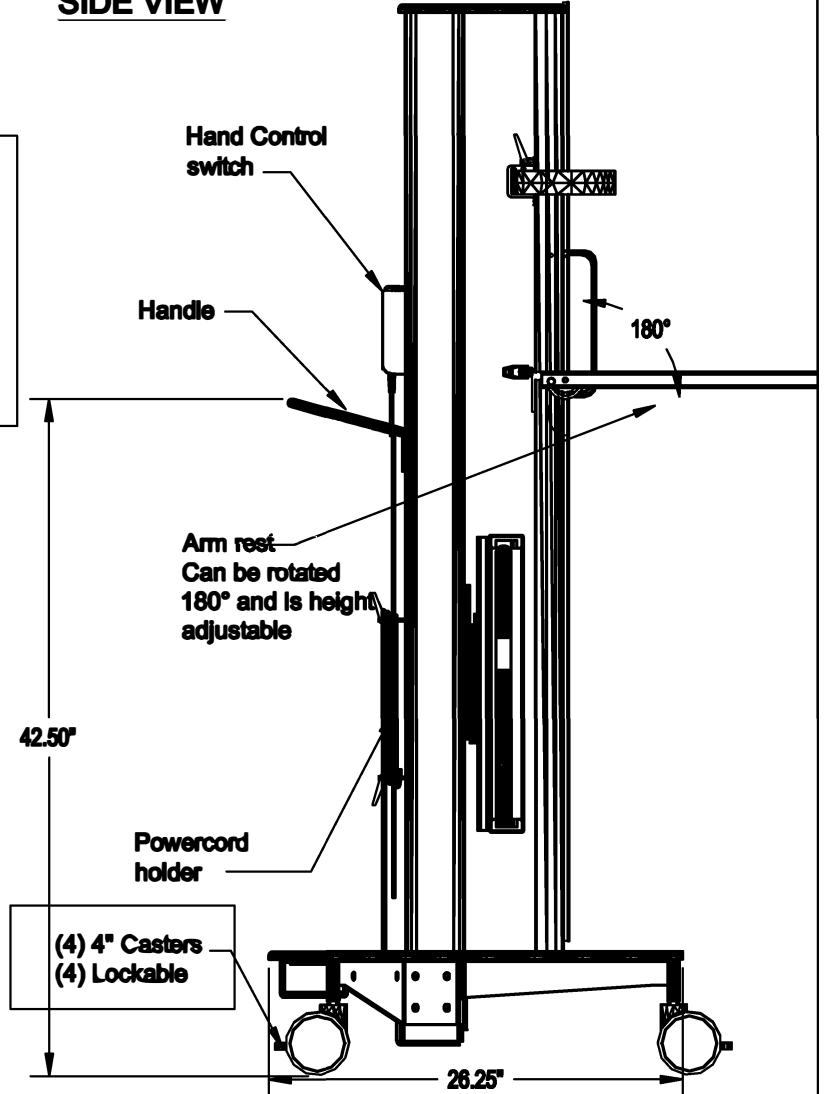
Belts to fix body position-(Height adjustable)

68"

Electronically height adjustable Holder for Detector & grid. Can be rotated 90°

28.5"

**SIDE VIEW**



Hand Control switch

Handle

180°

Arm rest  
Can be rotated 180° and is height adjustable

42.50"

Powercord holder

(4) 4" Casters  
(4) Lockable

26.25"

**NOTES :**  
Detector shown for demonstration purpose only: NOT PROVIDED WITH THE ACTUAL UNIT

MATERIAL :  
.  
TOLERANCES UNLESS OTHERWISE SPECIFIED  
2 PLC. DEC. ±.25

DRAWN BY: VGMLV

DATE: 09/09/16

DESCRIPTION :

**APPROVED**

**Mobile Adjustable Detector Holder (Electric)**

ENG :

SKU NUMBER :  
**772124**

MFG :

QA : **DJ**

**NOT TO SCALE**

**SHEET : 1 OF 3**

PDF NAME:  
**SS\_09GE\_103\_01**

REV: SIZE  
**03**