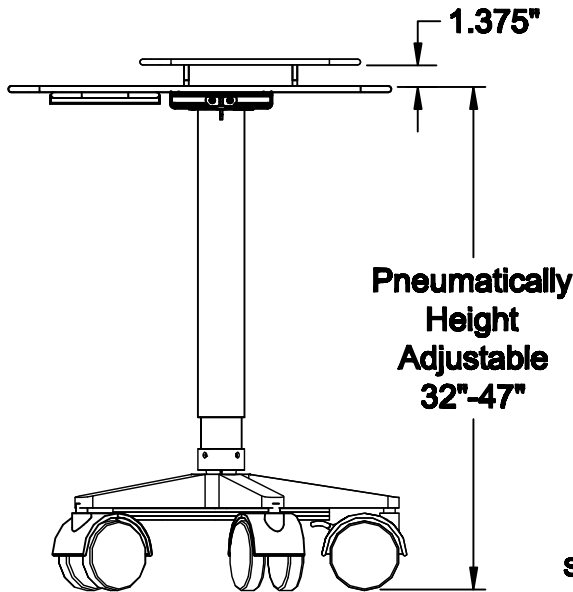
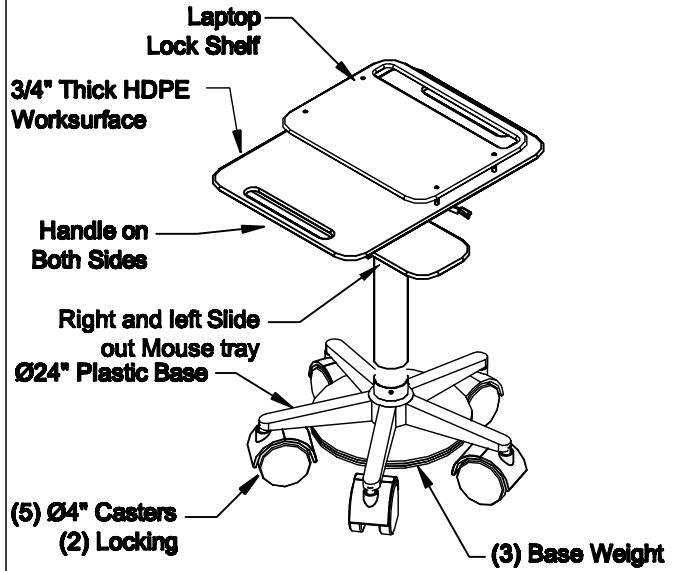


**TOP VIEW**  
SCALE: 1" = 1' - 0"

**ISOMETRIC VIEW**  
SCALE ~3/4" = 1' - 0"



**SIDE VIEW**  
SCALE: 1" = 1' - 0"

<b>NOTE:</b> 175N Gas spring	DRAWN BY: BD	DATE: 5/6/15	DESCRIPTION : Laptop Cart
	APPROVED		SKU NUMBER : 772114
<b>TOLERANCES UNLESS OTHERWISE SPECIFIED</b> FRACTIONAL ±1/64 2 PLC. DEC. ±.01 3PLC. DEC. ±.001 ANGULAR FINISH	ENG:		PATH : \Fin.Assy\Maxflex\Laptop Cart\PC200\
	MFG:		NUMBER : LPC200_1825_LSh16_01
	QA:	SCALE AS SHOWN	SHEET: 1 OF 1