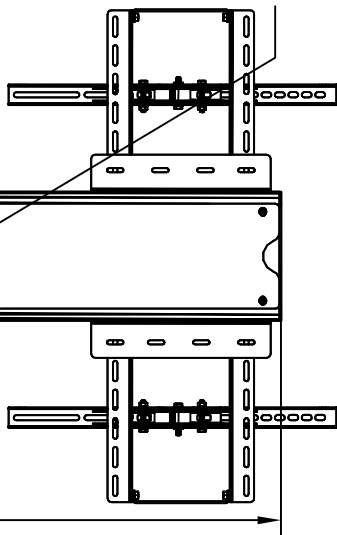
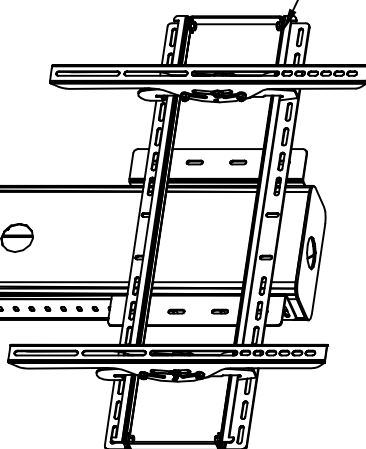


Removable Back panels



Large Monitor Holder
AFC-3255 (Adjustable from
200x200mm up to 600x400mm
VESA Compliant)

Holes for Height Adjustment

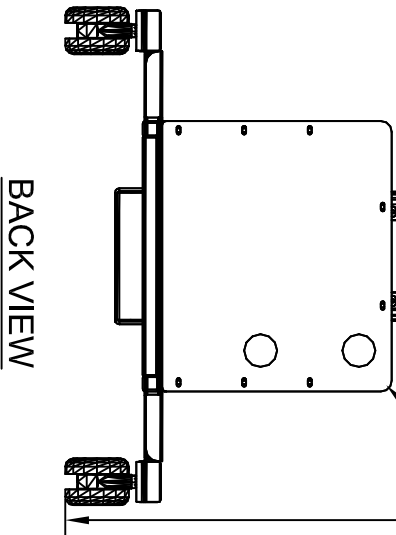


Battery Enclosure

62"

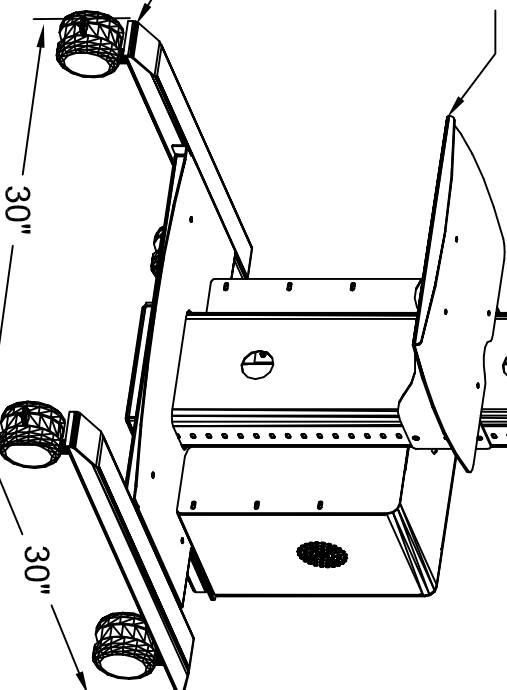
(2) 18"W x 16"D
(ALL I.D.)
Metal Shelves

(4) 4" Casters
(2) Locking



BACK VIEW

ISOMETRIC VIEW



30"

30"

NOTES:

* LCD MODEL HAS TO BE SPECIFIED TO CONFIRM IF THE HOLDER WILL FIT.

MATERIAL:

TOLERANCES UNLESS OTHERWISE SPECIFIED
FRACTIONAL ±1/64
2PLC, DEC. ±.01
3PLC, DEC. ±.001
ANGULAR
FINISH

4.5°
V

DRAWN BY: **BD/MCMB**

A P P R O V E D

DATE: 12/19/17

DESCRIPTION:

JP_XLCD3030-05

USED ON:

ENG:

MFG:

QA:

1" = 1' - 0"

SHEET: 1 OF 1

PATH:
Fin Assy\Carts... \XLCD\

PDF NAME:
772091

REV: SIZE

A