

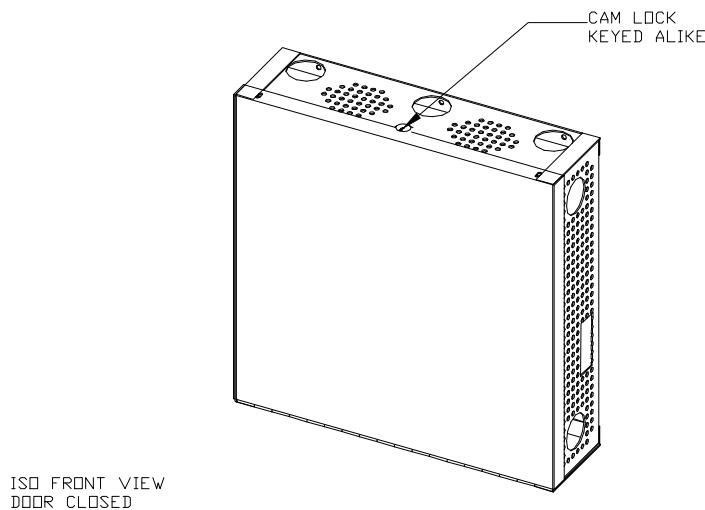
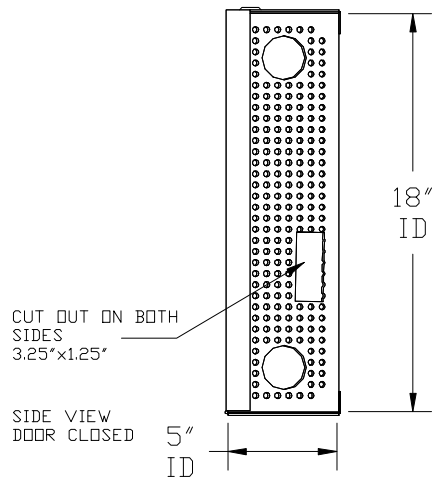
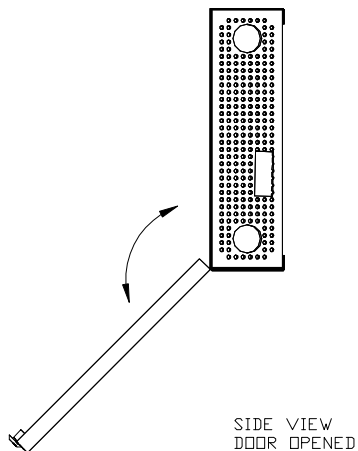
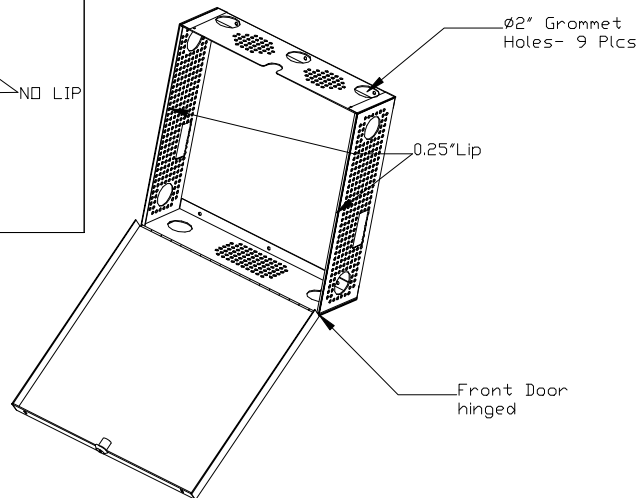
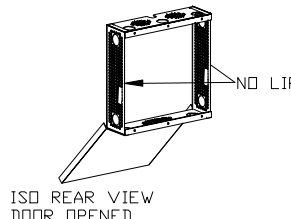
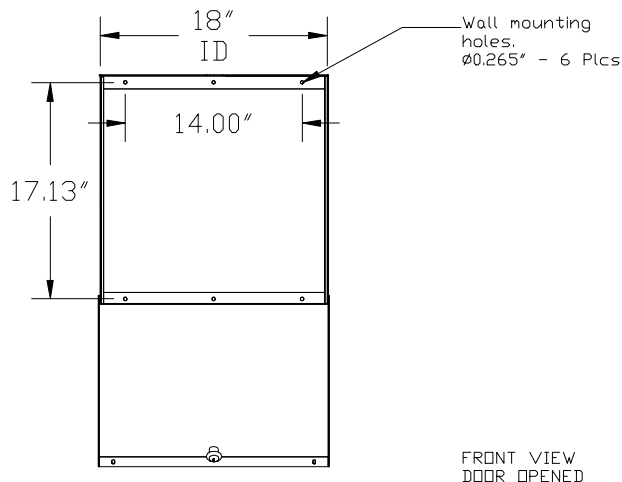


13-16 133 PLACE
COLLEGE POINT, NY 11356

TEL: (718)747-0237
FAX: (718)747-0726

THE PLANS AND DRAWINGS CONTAINED HEREIN ARE PROPRIETARY AND MAY NOT BE COPIED OR REPRODUCED MECHANICALLY, ELECTRONICALLY OR BY ANY MEANS WITHOUT WRITTEN PERMISSION FROM AFC INDUSTRIES, INC.

INSIDE DIMENSIONS OF ENCLASURE:
18"WIDTHX18"HEIGHTX5"DEPTH



NOTES :
COLOUR: BLACK JACK

MATERIAL :
AS NOTED ABOVE

TOLERANCES UNLESS OTHERWISE SPECIFIED

2 PLC. DEC. ±.06

DRAWN BY : VGM

DATE: 11/06/09

DESCRIPTION :

WALLMOUNT CPU HOLDER

A P P R O V E D

ENG :

MFG :

QA :

SCALE : N.T.S.

SHEET : 1 OF 1

SKU NUMBER :

771858

PATH :

ACCESSORIES\CU HOLDER

PDF NAME:

CPU909_18-5-18

REV: SIZE

A