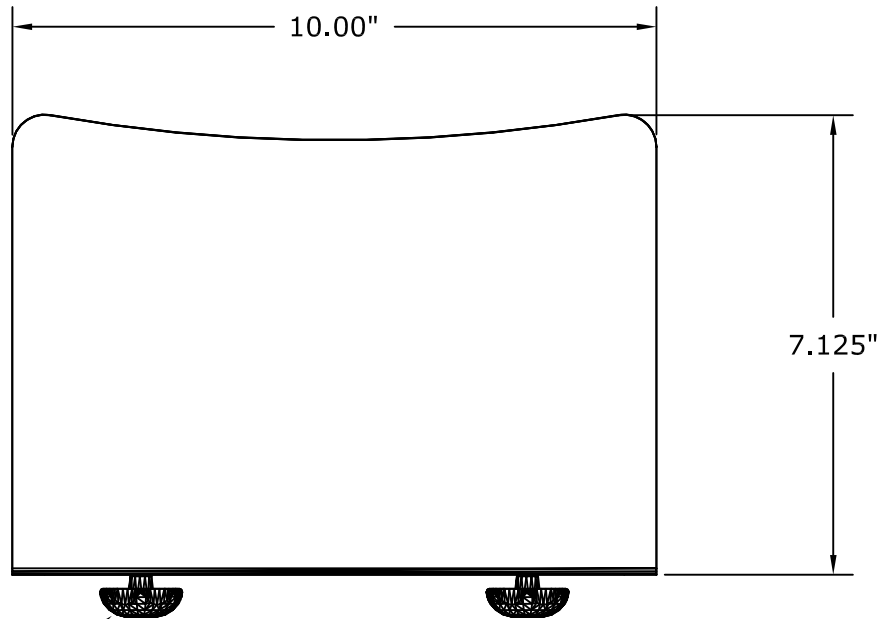
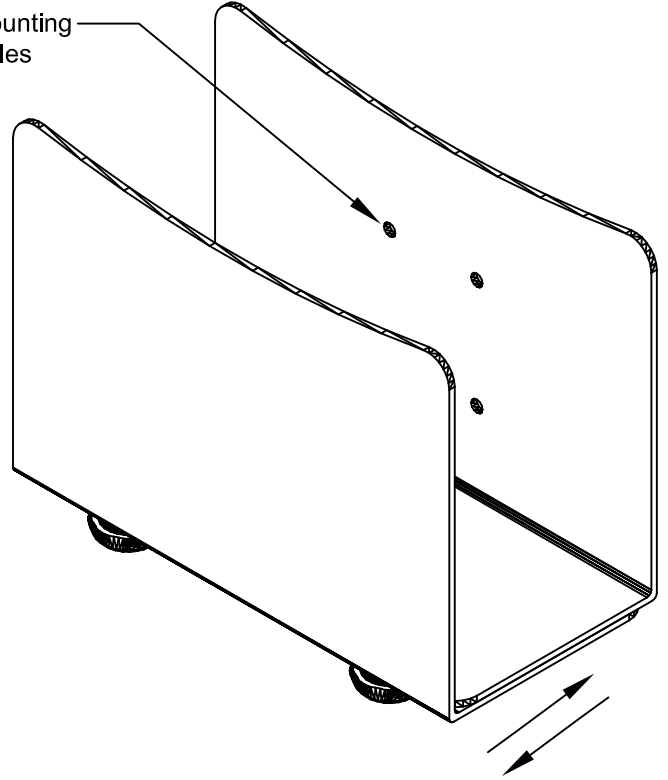


Mounting Holes



(2) Knobs
for adjusting width

| | | | | | |
|---|-----------------|------------------|--|---------|---------|
| MATERIAL : | DRAWN BY : PR | DATE: 04/08/2010 | DESCRIPTION : | | |
| | A P P R O V E D | | CPU 101 | | |
| TOLERANCES UNLESS OTHERWISE SPECIFIED FRACTIONAL ±1/64 2 PLC. DEC. ±.01 3PLC. DEC. ±.001 ANGULAR ±.5° FINISH √32 | ENG : | | USED ON : | | |
| | MFG : | | PATH : L:\Final Assem\Accessories\CPU&UPS\ | | |
| | QA : | | NUMBER : | CPU-101 | LAYER : |
| | SCALE: N.T.S. | SHEET : 1 OF 1 | | REV: | SIZE A |