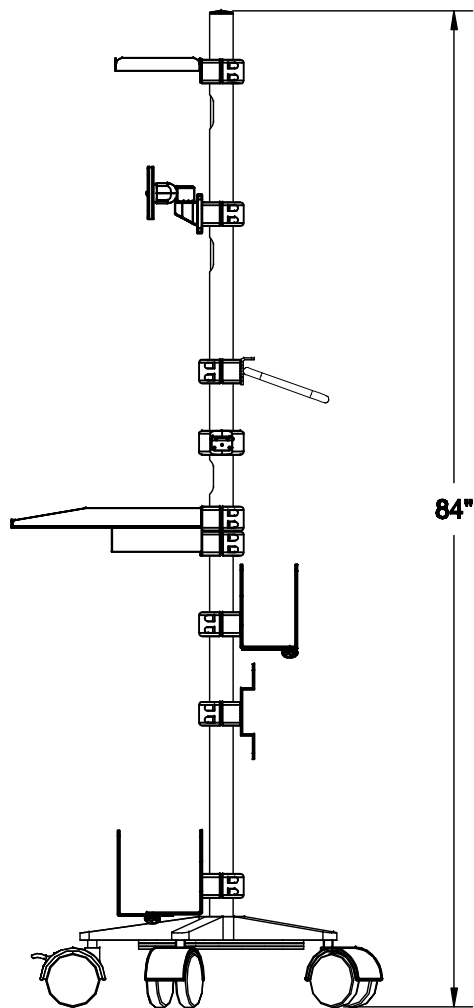




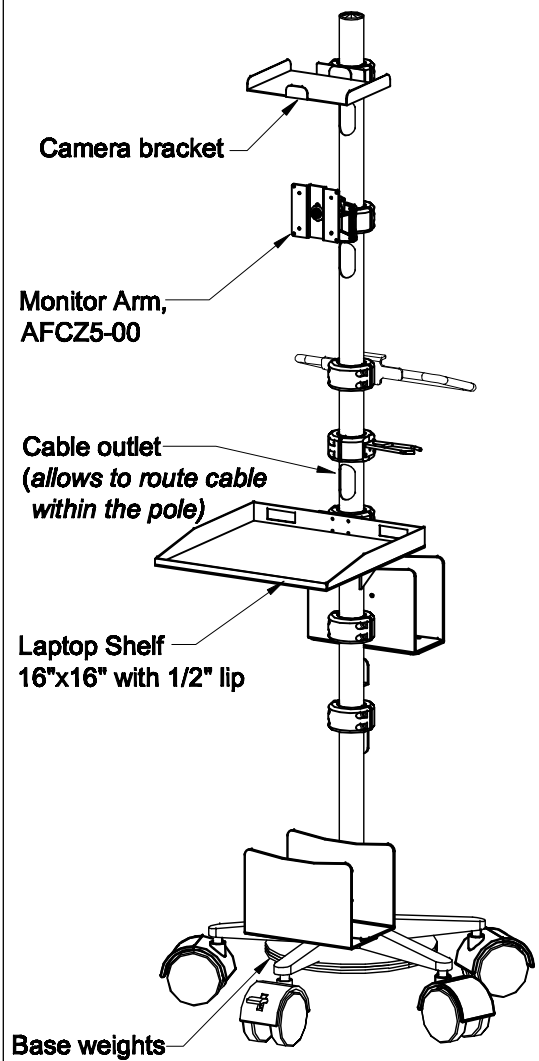
13-16 133 PLACE  
COLLEGE POINT, NY 11356

TEL: (718)747-0237  
FAX: (718)747-0726

THE PLANS AND DRAWINGS CONTAINED HEREIN ARE PROPRIETARY AND MAY NOT BE COPIED OR REPRODUCED MECHANICALLY, ELECTRONICALLY OR BY ANY MEANS WITHOUT WRITTEN PERMISSION FROM AFC INDUSTRIES, INC.



84"



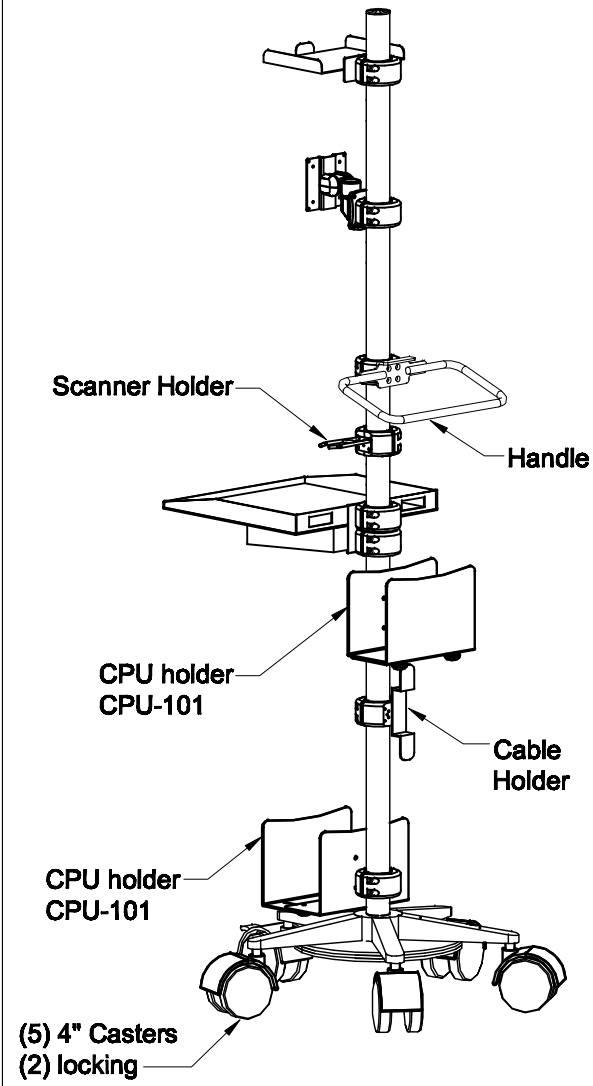
Camera bracket

Monitor Arm, AFCZ5-00

Cable outlet (allows to route cable within the pole)

Laptop Shelf 16"x16" with 1/2" lip

Base weights



Scanner Holder

Handle

CPU holder CPU-101

Cable Holder

CPU holder CPU-101

(5) 4" Casters (2) locking

NOTES :

MATERIAL :

TOLERANCES UNLESS OTHERWISE SPECIFIED

FRACTIONAL ±1/64

2 PLC. DEC. ±.01

3PLC. DEC. ±.001

ANGULAR ±.5'

FINISH √

DRAWN BY : PR/LV

DATE: 04/01/16

A P P R O V E D

ENG :

MFG :

QA :

SCALE : N.T.S.

SHEET : 1 OF 1

DESCRIPTION : MOBILE POLE CART 200

SKU NUMBER :

PATH : L:\Final Assemblies\Carts\MPC\2010

PDF NAME: 771843\_MPC\_200\_84\_LP\_1F\_2C\_00\_HS0\_01

REV: 1

SIZE A