



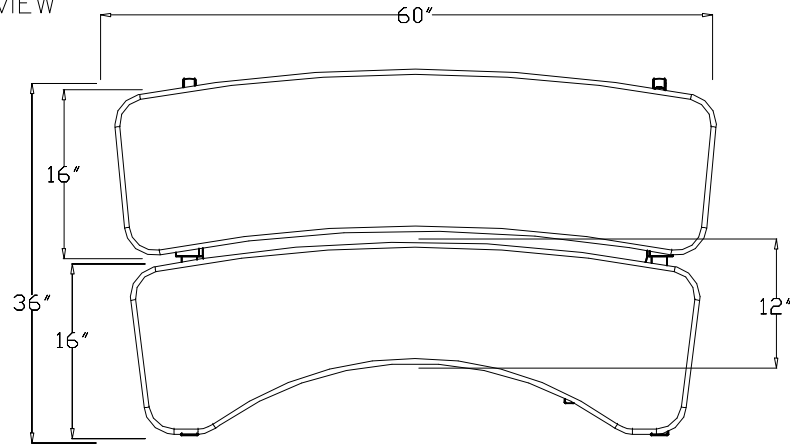
13-16 133 PLACE
COLLEGE POINT, NY 11356

TEL: (718)747-0237
FAX: (718)747-0726

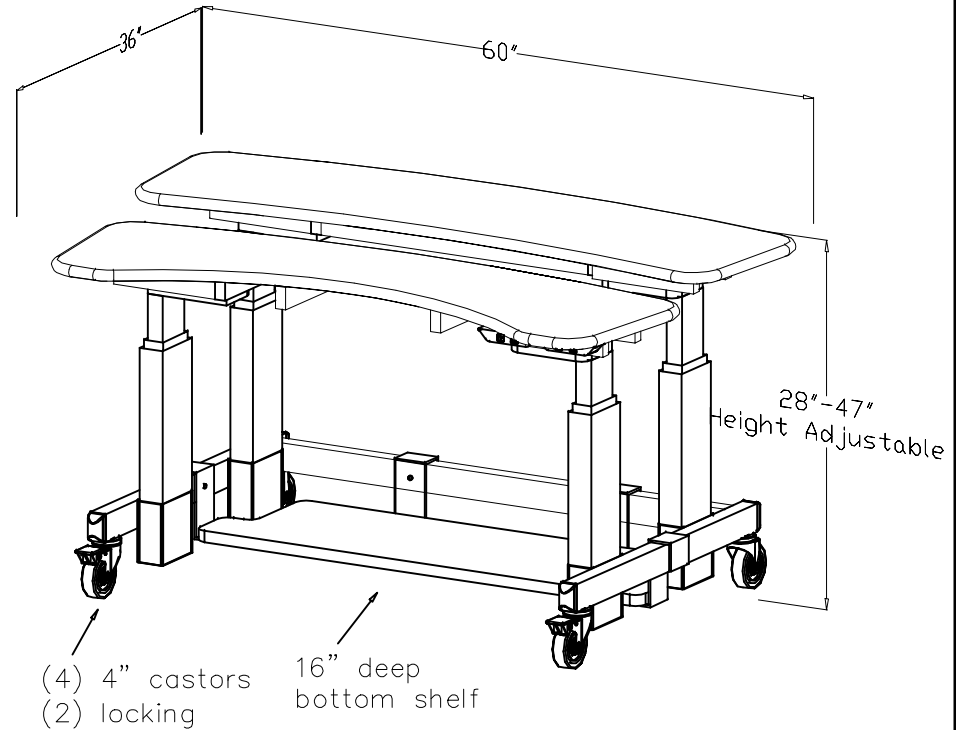
THE PLANS AND DRAWINGS CONTAINED HEREIN ARE PROPRIETARY AND MAY NOT BE COPIED OR REPRODUCED MECHANICALLY, ELECTRONICALLY OR BY ANY MEANS WITHOUT WRITTEN PERMISSION FROM AFC INDUSTRIES, INC.



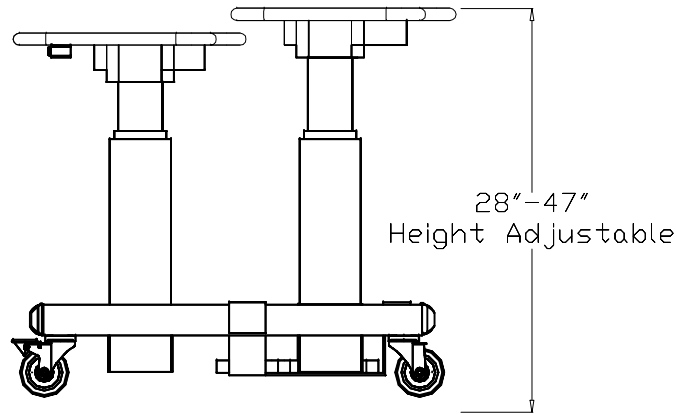
TOP VIEW



ISO VIEW



SIDE VIEW



NOTES :

MATERIAL :
AS NOTED ABOVE

TOLERANCES UNLESS OTHERWISE SPECIFIED
FRACTIONAL ±1/64
2 PLC. DEC. ±.01
3PLC. DEC. ±.001
ANGULAR ±.5°
FINISH √

DRAWN BY : R.M

DATE: 05/20/04

DESCRIPTION : DT6036

A P P R O V E D

ENG :

SKU NUMBER :
771657

MFG :

PATH : \FINAL ASSEMB\Dual TIER\DT6000

QA :

PDF NAME: DT6036_S_0000_00_00_0_B_000_01(SF)

SCALE : N.T.S.

SHEET : 1 OF 1