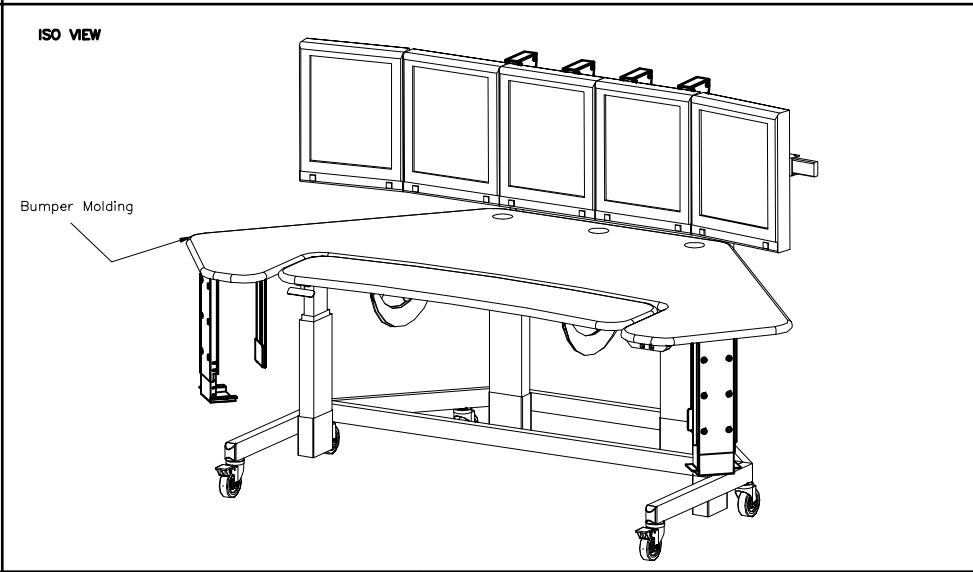
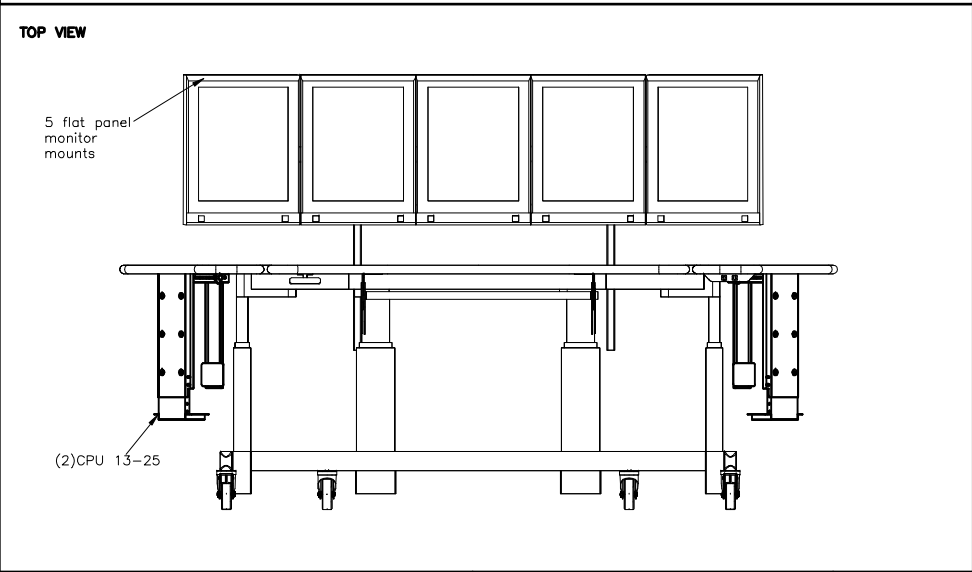
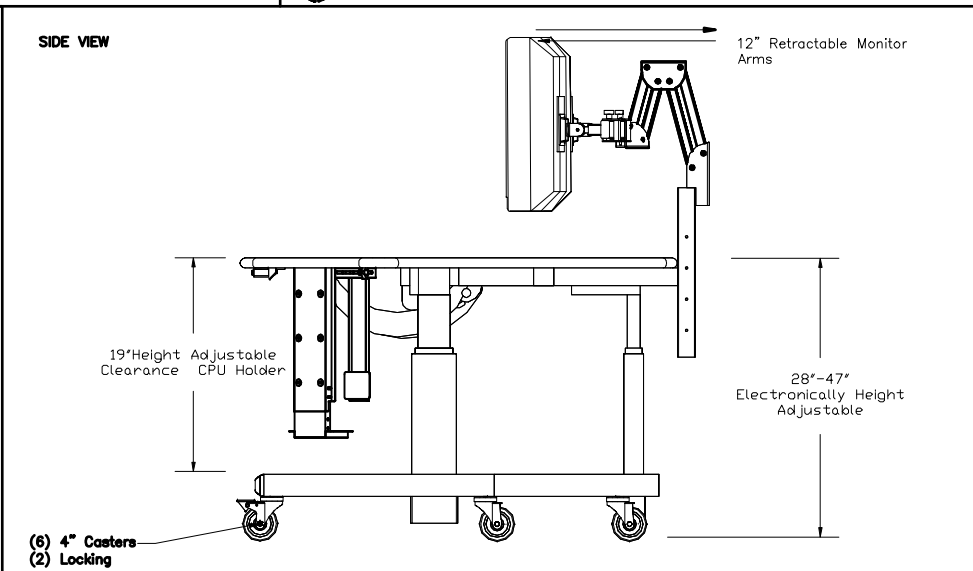
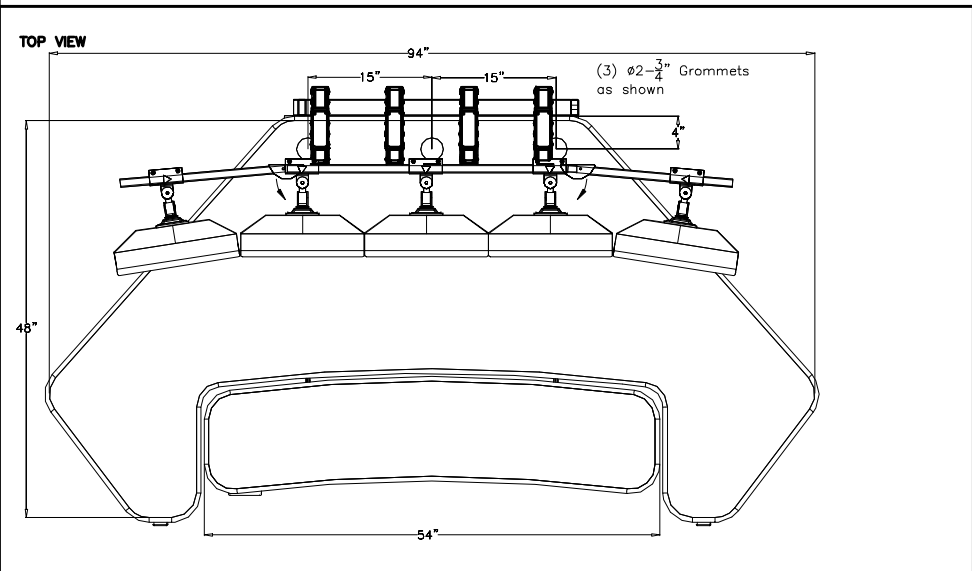




13-16 133 PLACE  
COLLEGE POINT, NY 11356

TEL: (718)747-0237  
FAX: (718)747-0726

THE PLANS AND DRAWINGS CONTAINED HEREIN ARE PROPRIETARY AND MAY NOT BE COPIED OR REPRODUCED MECHANICALLY, ELECTRONICALLY OR BY ANY MEANS WITHOUT WRITTEN PERMISSION FROM AFC INDUSTRIES, INC.



<b>NOTES :</b>	<b>MATERIAL :</b> AS NOTED ABOVE	<b>DRAWN BY :</b> DJW/VGM/MG/PK/LV	<b>DATE:</b> 1/19/17	<b>DESCRIPTION :</b> ERGOHEX		
	<b>TOLERANCES UNLESS OTHERWISE SPECIFIED</b> FRACTIONAL ±1/64 2 PLC. DEC. ±.01 3PLC. DEC. ±.001 ANGULAR ±.5° FINISH √	<b>A P P R O V E D</b>		<b>SKU NUMBER :</b> 771639		
		<b>ENG :</b>		<b>PATH :</b> F.ASSMBLY/MAXFLEXSERIES/ST/ERGOHEX		
		<b>MFG :</b>		<b>NUMBER :</b> ST9448_1SWKB_5F_2C_0_0_000_01	<b>SIZE</b>	<b>A</b>
		<b>QA :</b>		<b>SCALE :</b> N.T.S.	<b>SHEET :</b> 1 OF 1	