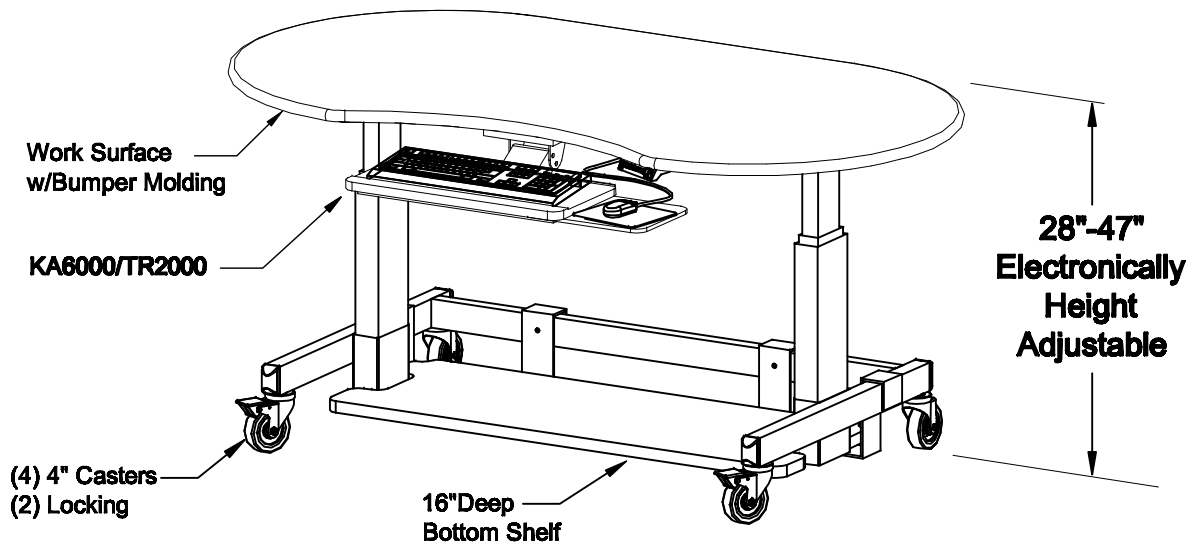
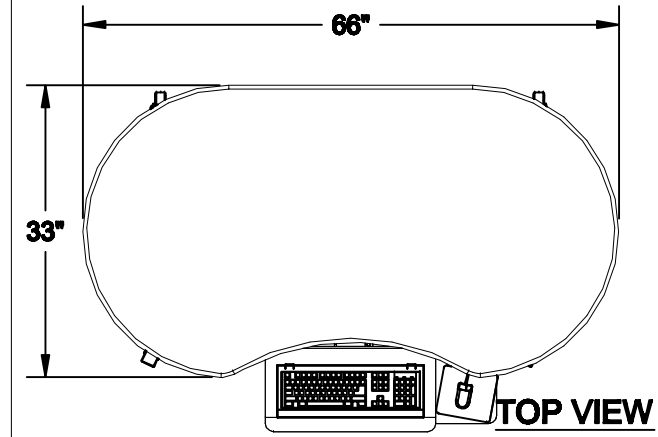




13-16 133 PLACE  
COLLEGE POINT, NY 11356

TEL: (718)747-0237  
FAX: (718)747-0726

THE PLANS AND DRAWINGS CONTAINED HEREIN ARE PROPRIETARY AND MAY NOT BE COPIED OR REPRODUCED MECHANICALLY, ELECTRONICALLY OR BY ANY MEANS WITHOUT WRITTEN PERMISSION FROM AFC INDUSTRIES, INC.



**ISOMETRIC VIEW**

NOTES :

MATERIAL :

AS NOTED ABOVE

TOLERANCES UNLESS OTHERWISE SPECIFIED

FRACTIONAL ±1/64

2 PLC. DEC. ±.01

3PLC. DEC. ±.001

ANGULAR ±.5°

FINISH √

DRAWN BY : PR

DATE: 09/08/11

DESCRIPTION : Bean Shaped Table 6633

A P P R O V E D

ENG :

MFG :

QA :

SCALE : N.T.S.

SKU NUMBER :  
771439

PATH :  
F.Assmby\MaxFlex\Bean Shape\2010

PDF NAME:  
BS6633\_S\_B\_1620\_00\_00\_0\_B\_000\_01