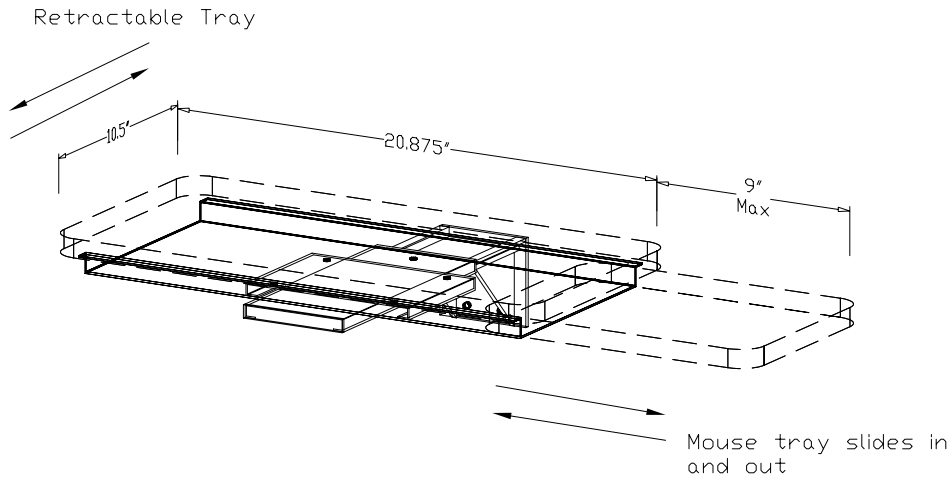
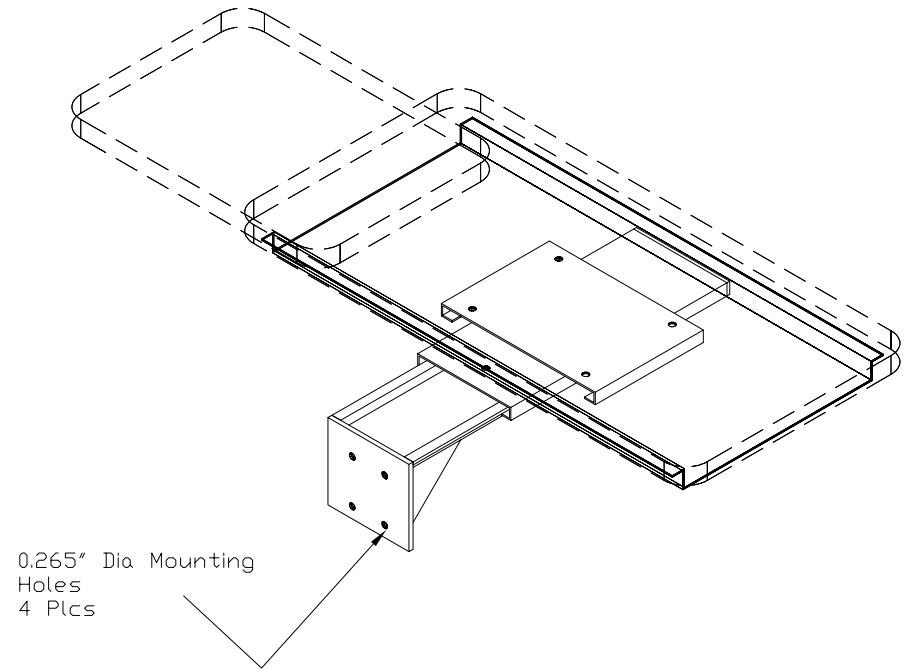


Front Iso View



Rear Iso View



NOTES :

MATERIAL :
AS NOTED ABOVE

TOLERANCES UNLESS OTHERWISE SPECIFIED
FRACTIONAL ±1/64
2 PLC. DEC. ±.01
3PLC. DEC. ±.001
ANGULAR ±.5°
FINISH $\sqrt{32}$

DRAWN BY : VGM

A P P R O V E D

DATE: 07/18/05

DESCRIPTION :
Wall Mount Keyboard Tray

ENG :

MFG :

QA :

SCALE : N.T.S.

SHEET : 1 OF 1

USED ON :

PATH :
F:\assembly\Accessories\Keyboard Accessories

PDF NAME:
Wall mount Keyboard Tray

REV: SIZE
A