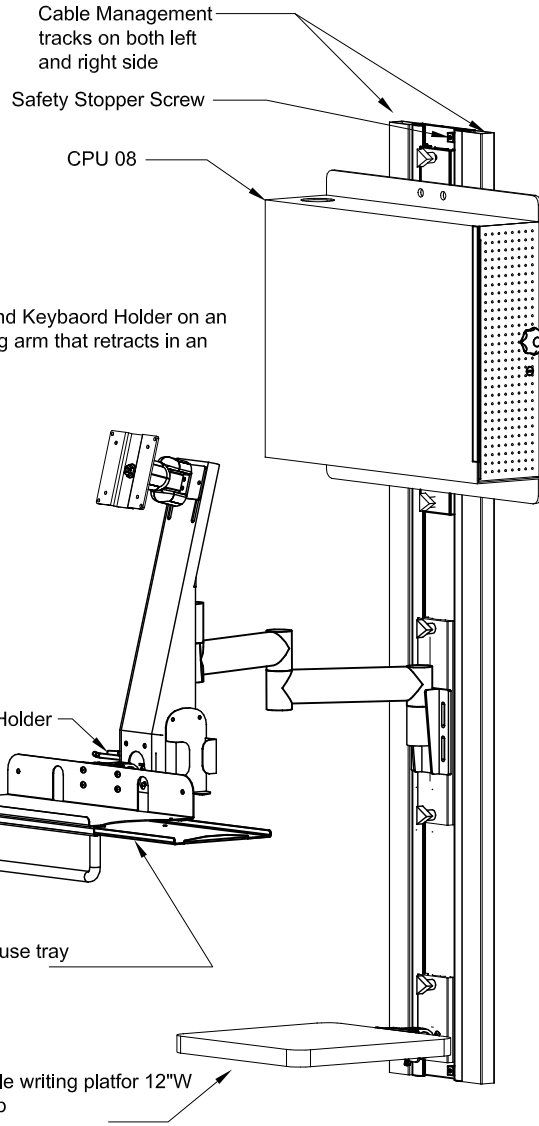
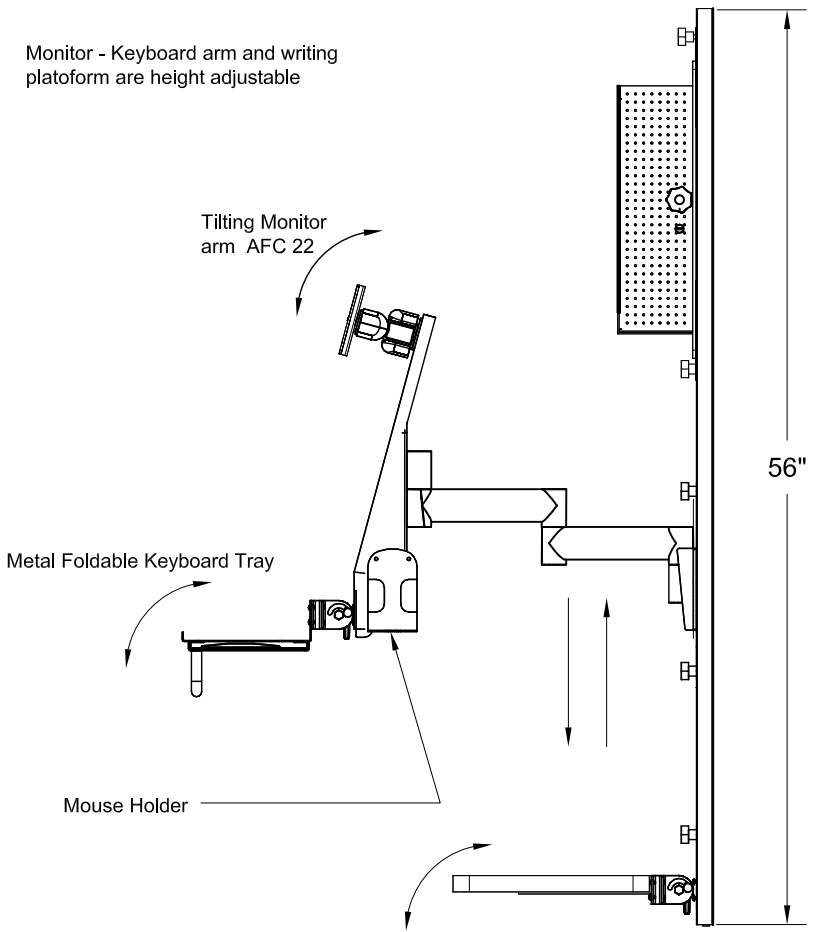
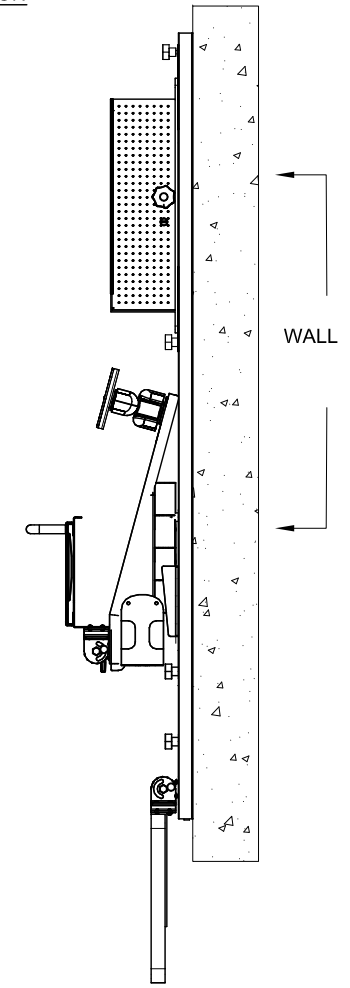


SIDE VIEW OF UNIT IN OPEN POSITION



SIDE VIEW OF UNIT IN FOLDED POSITION



NOTES :

Size of the CPU to be confirmed prior to production.

MATERIAL :
AS NOTED ABOVE

TOLERANCES UNLESS OTHERWISE SPECIFIED

FRACTIONAL	±1/64
2 PLC. DEC.	±.01
3PLC. DEC.	±.001
ANGULAR	±5'
FINISH	32/

DRAWN BY : VGM/MK	DATE: 04/27/10
A P P R O V E D	
ENG :	
MFG :	
QA :	
SCALE : N.T.S.	SHEET : 1 OF 1

DESCRIPTION :	COMBO MONITOR &KEYBOARD ARM	
USED ON :		
PATH :	Wallmount\2010\Vertical\WM56	
PDF NAME:	WM56_Z200_CMB_1C_12SH_01	REV: SIZE A