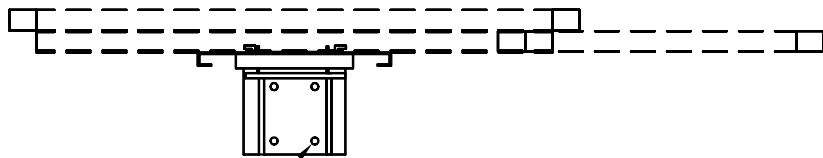
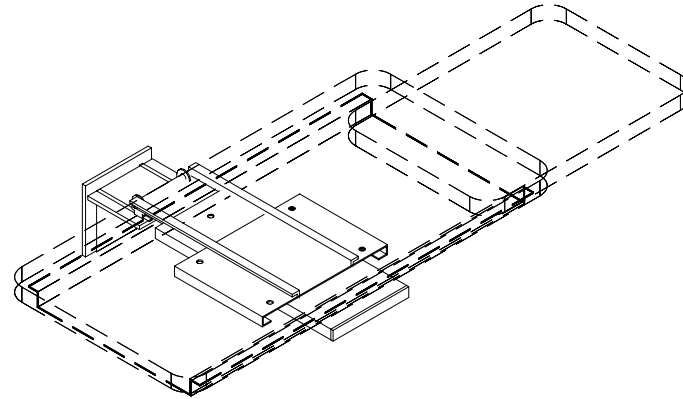
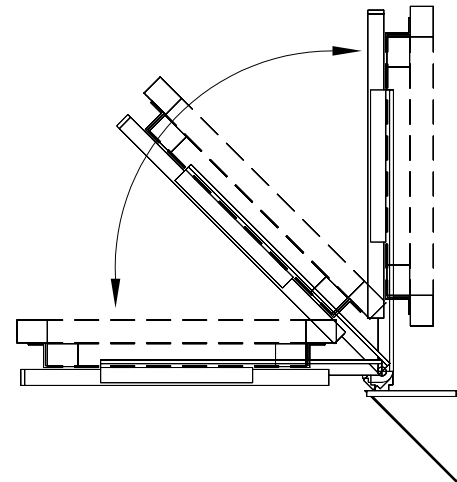


Sliding Mouse Tray



0.265" Dia Mounting Holes
4 Plcs



NOTES :

MATERIAL :
AS NOTED ABOVE

TOLERANCES UNLESS OTHERWISE SPECIFIED

FRACTIONAL ±1/64
2 PLC. DEC. ±.01
3PLC. DEC. ±.001
ANGULAR ±.5°
FINISH 32/√

DRAWN BY : PES

DATE: 2/14/06

DESCRIPTION :

KB TRAY

A P P R O V E D

ENG :

MFG :

QA :

SCALE : N.T.S.

SHEET : 1 OF 1

USED ON :

PATH :
FIN. ASSEMBLIES\ACCESSORIES\KB ARMS&TRAYS

PDF NAME:
WALL MOUNTED KEYBOARD TRAY

SIZE
A