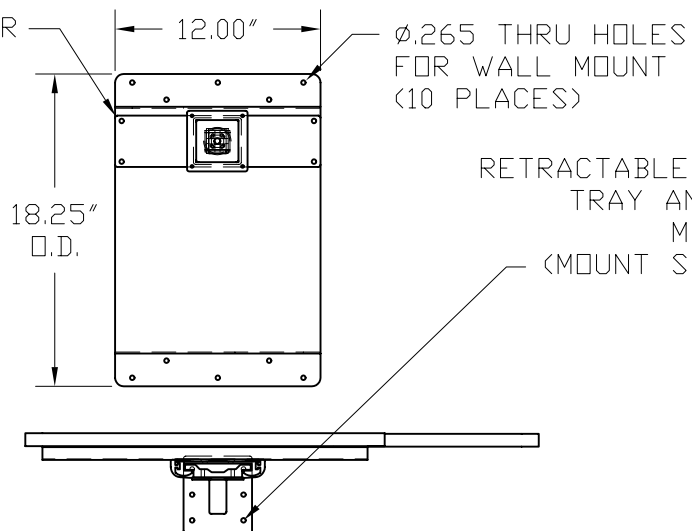
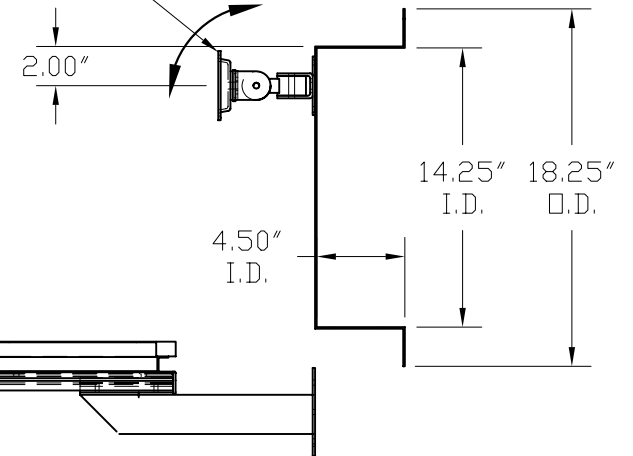


12"x3" SUPPORT
PLATE FOR
MONITOR HOLDER



RETRACTABLE KEYBOARD
TRAY AND SLIDING
MOUSE TRAY
(MOUNT SEPERATELY
TO WALL)

AFC17
FLAT PANEL
MONITOR ARM



NOTES :

MATERIAL :
AS NOTED ABOVE

TOLERANCES UNLESS
OTHERWISE SPECIFIED

FRACTIONAL ±1/64
2 PLC. DEC. ±.01
3PLC. DEC. ±.001
ANGULAR ±.5°
FINISH √

DRAWN BY : PES

A P P R O V E D

ENG :

MFG :

QA :

SCALE : N.T.S.

DATE: 5/19/06

SHEET : 1 OF 1

DESCRIPTION :

CUSTOM CPU HOLDER

USED ON :

PATH :

CUSTOMERS\GOVT1

PDF NAME:

CUSTOM CPU HOLDER

REV:

SIZE

A