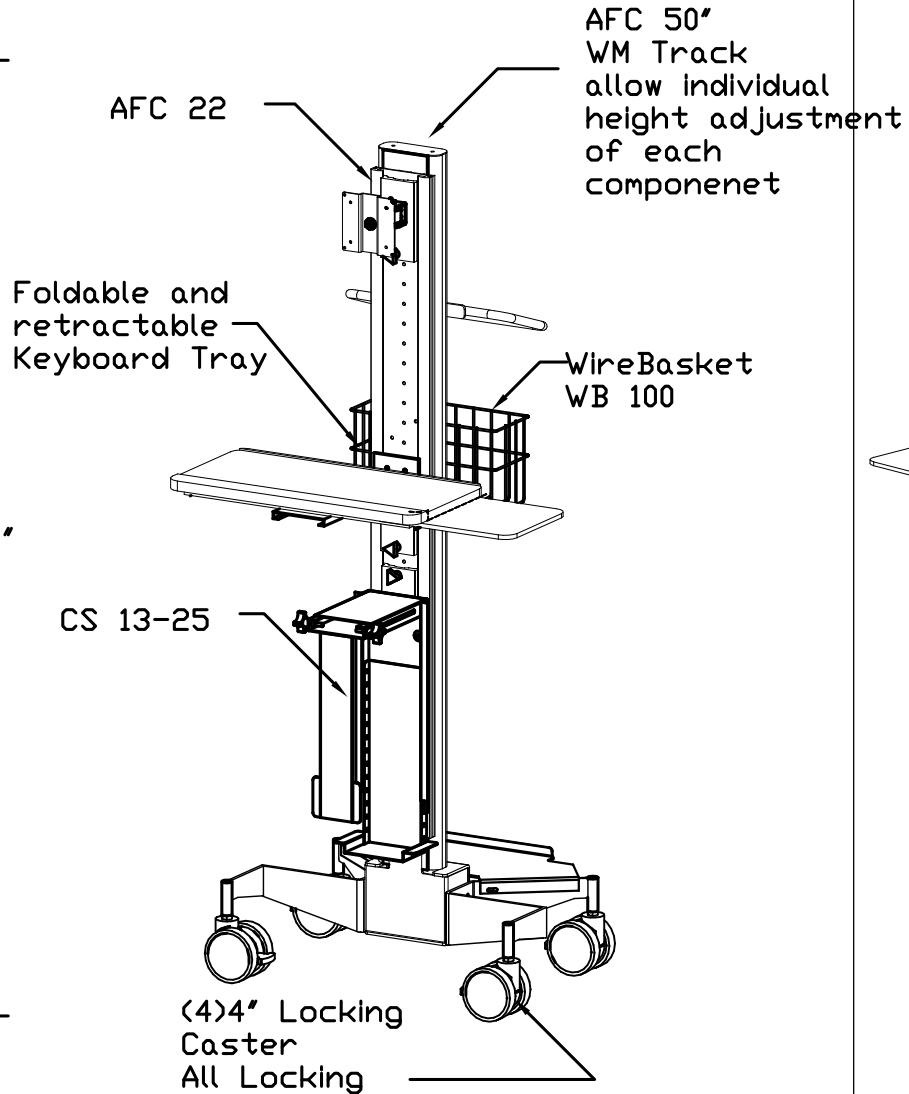
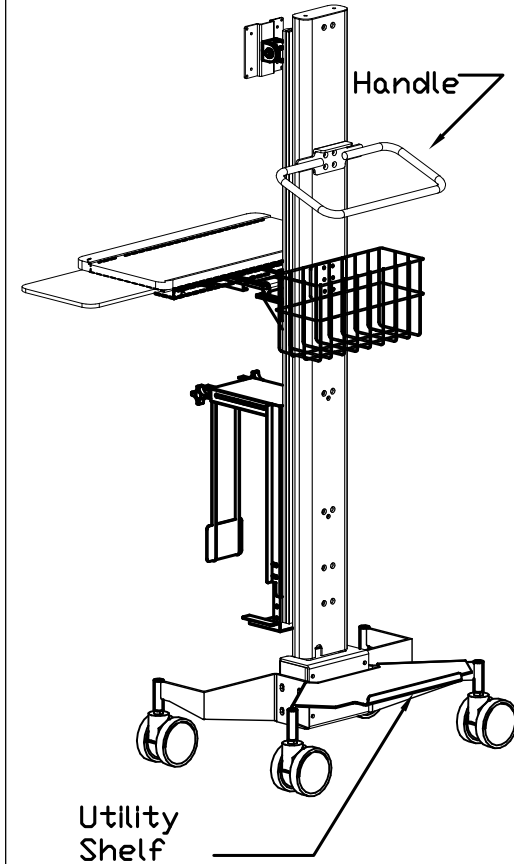


62"



AFC 50" WM Track allow individual height adjustment of each component



Handle

Utility Shelf

NOTES :

MATERIAL :
AS NOTED ABOVE

TOLERANCES UNLESS OTHERWISE SPECIFIED
FRACTIONAL ±1/64
2 PLC. DEC. ±.01
3PLC. DEC. ±.001
ANGULAR ±.5°
FINISH √

DRAWN BY : MG/MK

DATE: 11-09-09

DESCRIPTION :

A P P R O V E D

ENG :

MFG :

QA :

SCALE : N.T.S.

USED ON :

PATH :
L\Final\Carts\Upright carts\

PDF NAME:
UC62_1RKB_1F_1C_HWB_01

FOLDER :

REV: SIZE
A