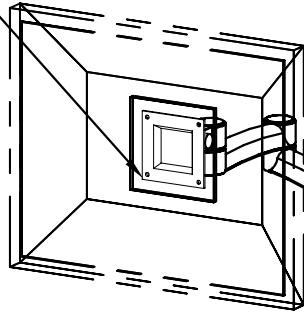


AFC 500-01



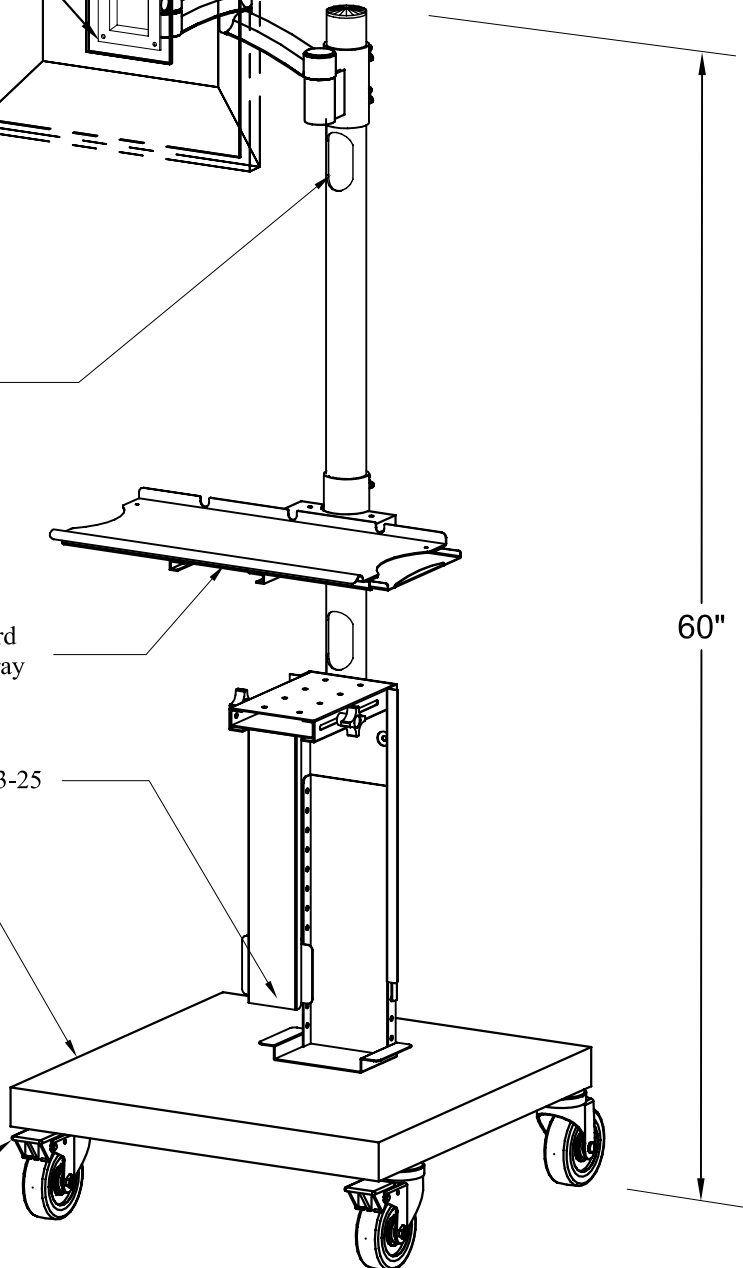
CUTOUTS FOR WIRE MANAGEMENT

Retractable Metal Keyboard Tray with sliding Mouse tray KB84

CPU 13-25

21"x21" Base

(5) 4" CASTERS
(2) LOCKING



60"

MATERIAL :	DRAWN BY : MG/BD/VP	DATE: 05/12/09	DESCRIPTION :	
	A P P R O V E D		MOBILE POLE CART 200	
TOLERANCES UNLESS OTHERWISE SPECIFIED FRACTIONAL ±1/64 2 PL. DEC. ±.01 3PLC. DEC. ±.001 ANGULAR ±.5' FINISH √	EN :		USED ON :	
	MFG. :		PATH :	
	QA :		CARTS\Mobile Pole cart\ Internet	
	SCALE: N.T.S.	SHEET : 1 OF 1	FILE NAME:	MPC_200_SQ_60_1KB_1FZ_1C_00_01