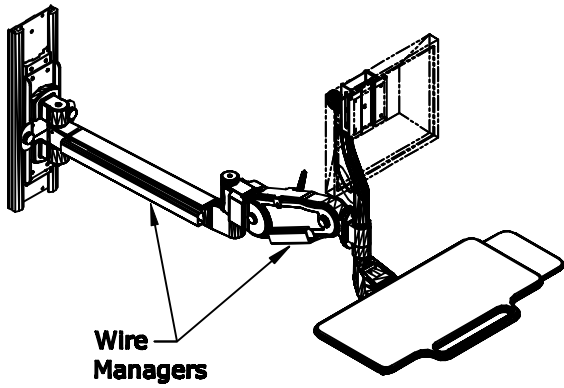




13-16 133 PLACE  
COLLEGE POINT, NY 11356

TEL: (718)747-0237  
FAX: (718)747-0726

THE PLANS AND DRAWINGS CONTAINED HEREIN ARE PROPRIETARY AND MAY NOT BE COPIED OR REPRODUCED MECHANICALLY, ELECTRONICALLY OR BY ANY MEANS WITHOUT WRITTEN PERMISSION FROM AFC INDUSTRIES, INC.



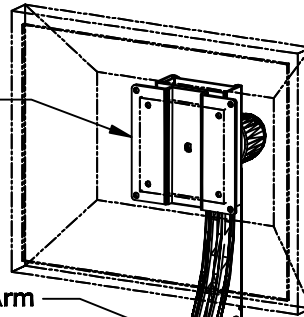
Wire Managers

**SIDE VIEW**  
Arm Folded against wall



~8"

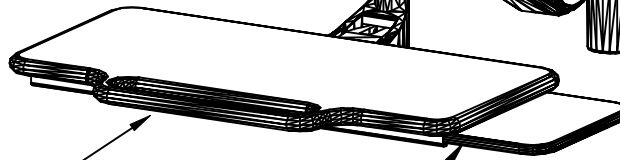
Monitor Holder Plate  
VESA 75/100  
Compliant



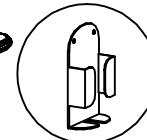
Monitor Arm

Pneumatically height adjustable arm with lock for varying loads

Foldable Keyboard Tray with handle



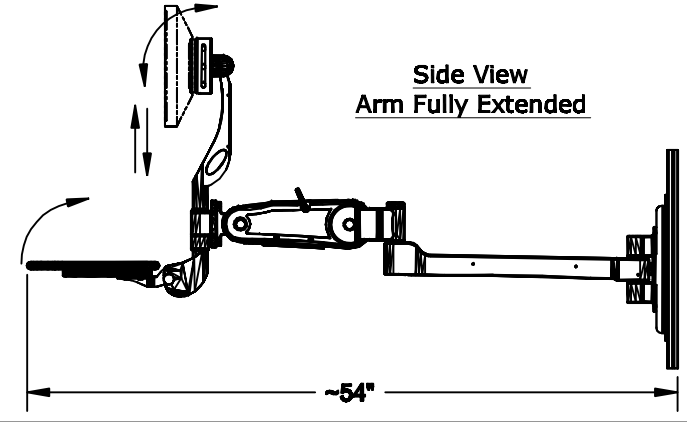
Sliding Mouse Tray



Mouse holder under KB tray

Extension 20"

18"



**Side View**  
Arm Fully Extended

~54"

NOTES :

Monitor Weight < 20lbs

MATERIAL :  
AS NOTED ABOVE

TOLERANCES UNLESS OTHERWISE SPECIFIED  
FRACTIONAL ±1/64  
2 PLC. DEC. ±.01  
3PLC. DEC. ±.001  
ANGULAR ±.5°  
FINISH √

DRAWN BY: PR

DATE: 05/09/12

DESCRIPTION :  
**Wall Mount**

A P P R O V E D

SKU NUMBER :  
772240

PATH : L:\Final\_Assbly\Wall Mounts\AFC7808\2012

ENG :

MFG :

QA :

PDF NAME:  
**WM18\_AFC7808\_20-01**

REV: SIZE  
A

SCALE : **NOT TO SCALE**

SHEET : 1 OF 1