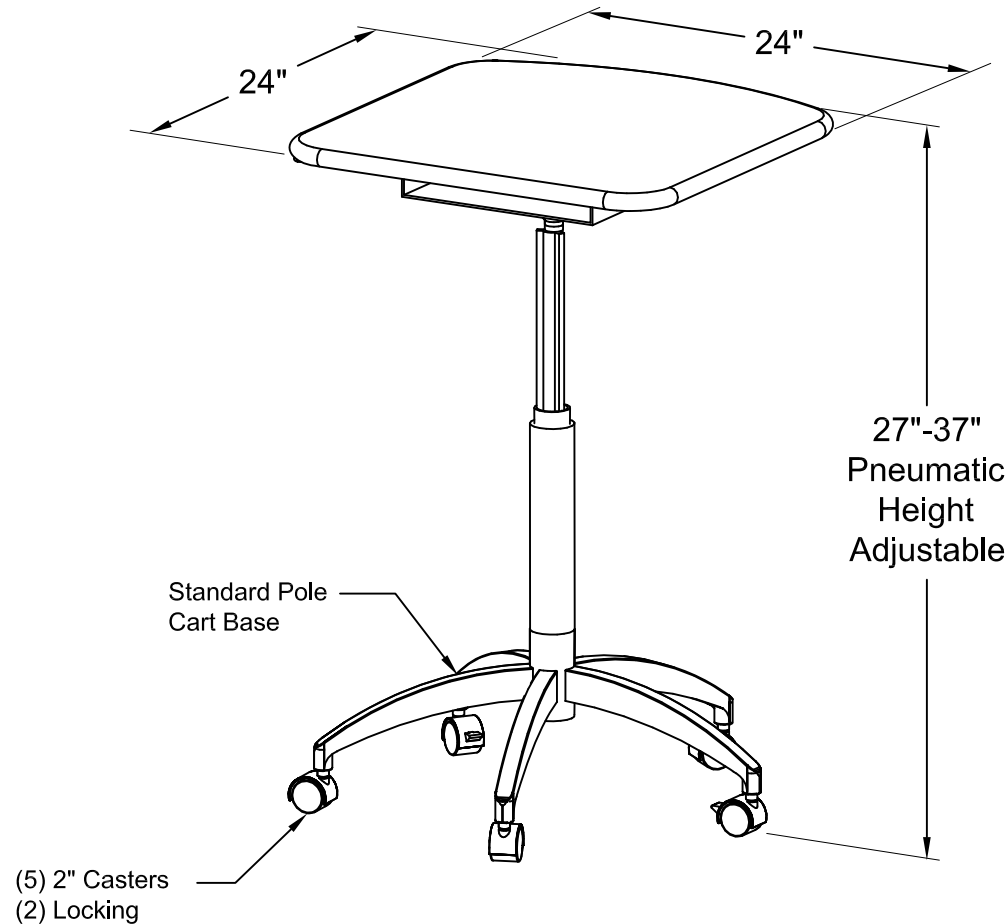


ISOMETRIC VIEW



NOTES :

MATERIAL :  
AS NOTED ABOVE

TOLERANCES UNLESS OTHERWISE SPECIFIED  
FRACTIONAL ±1/64  
2 PLC. DEC. ±.01  
3PLC. DEC. ±.001  
ANGULAR ±.5°  
FINISH √

DRAWN BY : PR

DATE: 02/01/2010

DESCRIPTION :

Laptop Cart

A P P R O V E D

USED ON :

ENG :

MFG :

QA :

PATH :

F:\Assembly\MAXflex\Laptop Cubby\Sale2010

SCALE : N.T.S.

SHEET : 1 of 1

PDF NAME:

PC\_LP 2424-01

FOLDER :

REV: SIZE  
A