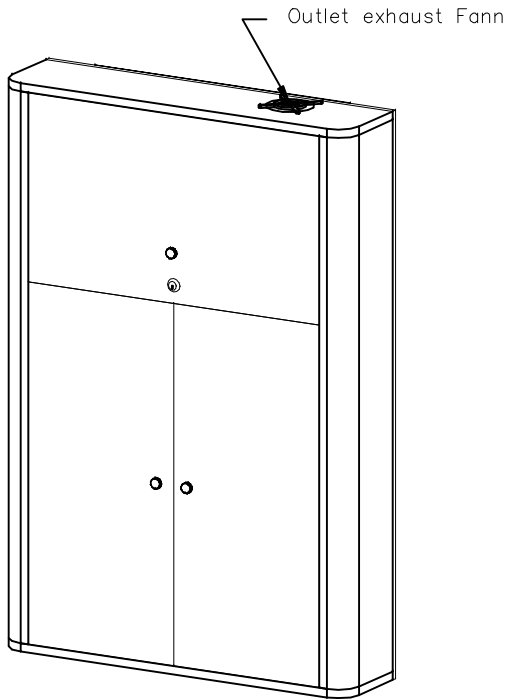
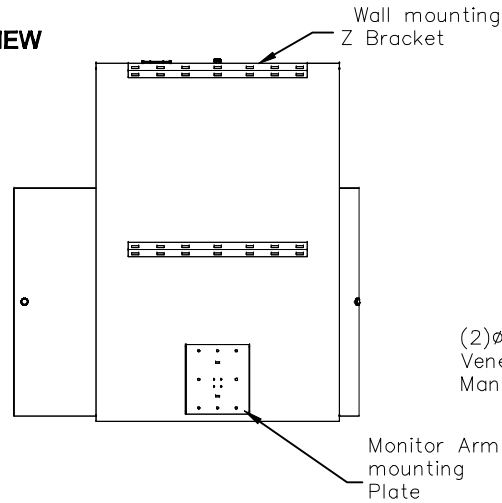


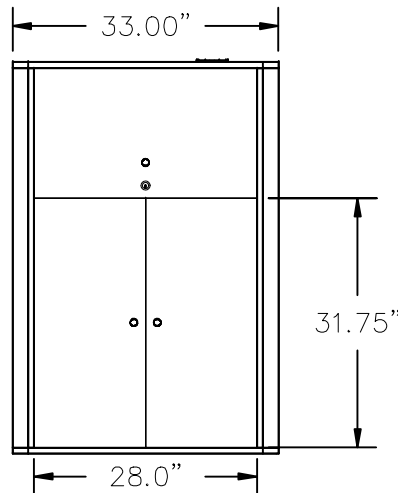
ISOMETRIC VIEW



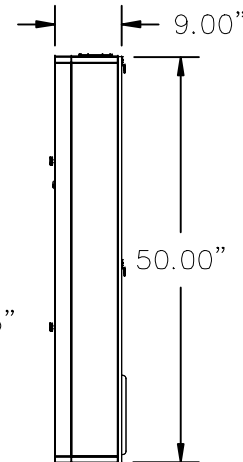
BACK VIEW



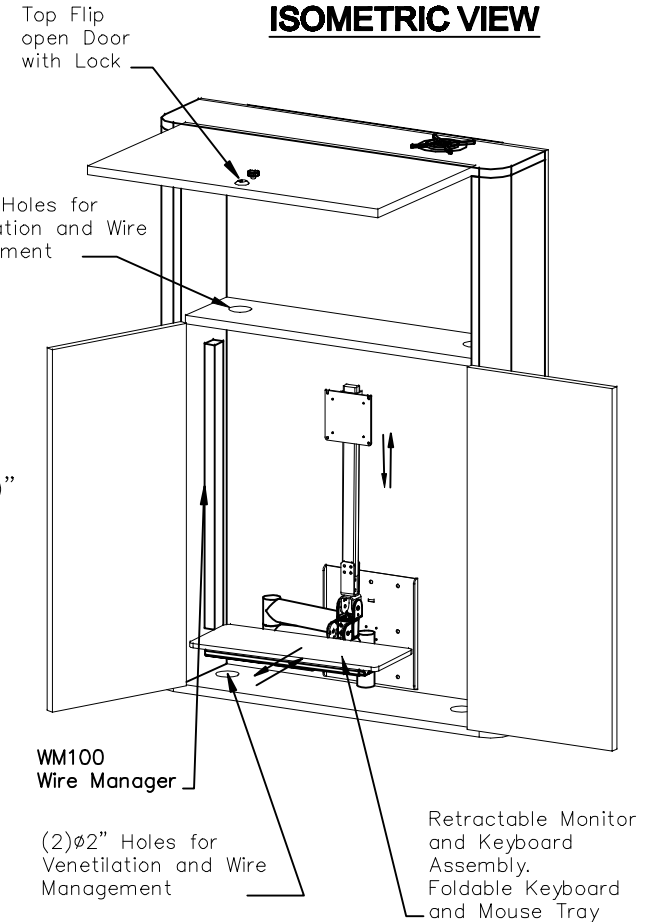
FRONT VIEW



SIDE VIEW



ISOMETRIC VIEW



NOTES:

MATERIAL:

TOLERANCES UNLESS OTHERWISE SPECIFIED
 FRACTIONAL $\pm 1/64$
 2 PLC. DEC. $\pm .01$
 3PLC. DEC. $\pm .001$
ANGULAR
FINISH



DRAWN BY: KH

DATE: 01-03-10

DESCRIPTION:

I-CENTER

APPROVED

USED ON:

ENG:

MFG:

QA:

PATH:

L:\Fin.Assemb\I-CENTER\IR400

NOT TO SCALE

SHEET:

PDF NAME:

IR400-002

REV: **SIZE**
A