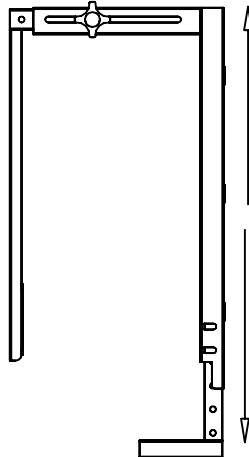


Holes for mounting under desktop

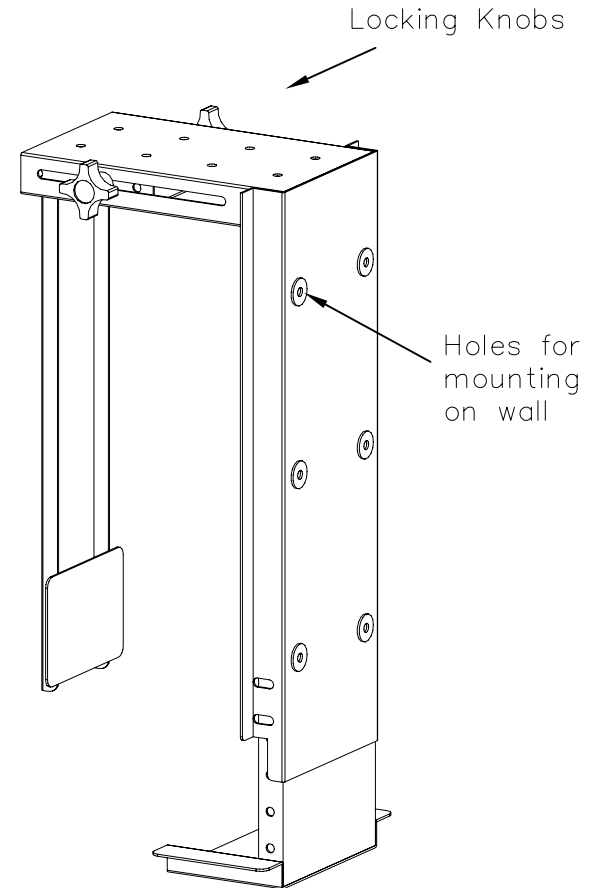
Top View

Depth Adjustable
(2.75" - 8.8")



Height Adjustable
(14.4" - 26.4")

Side View



Locking Knobs

Holes for mounting on wall

Iso View

NOTES :

MATERIAL :
AS NOTED ABOVE

TOLERANCES UNLESS OTHERWISE SPECIFIED
FRACTIONAL ±1/64
2 PLC. DEC. ±.01
3PLC. DEC. ±.001
ANGULAR ±.5°
FINISH √

DRAWN BY : R.M/VGM/LV

DATE: 04/24/05

DESCRIPTION : CS13-25 _VER 3

A P P R O V E D

ENG :

MFG :

QA :

SCALE : N.T.S.

SHEET : 1 OF 1

USED ON :

PATH :

Fin assem/acces/cpu hold/cs(13-25)

PDF NAME:

CS13-25_VER3