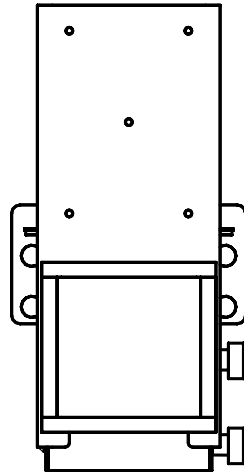




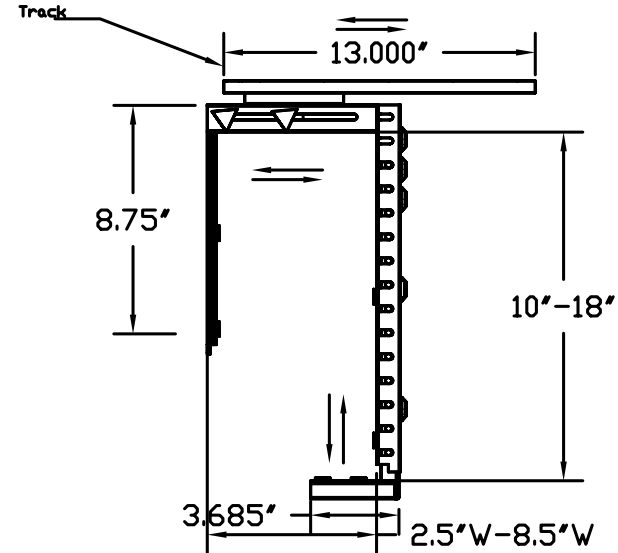
13-16 133 PLACE | TEL: (718)747-0237  
 COLLEGE POINT, NY 11356 | FAX: (718)747-0726

THE PLANS AND DRAWINGS CONTAINED HEREIN ARE PROPRIETARY AND MAY NOT BE COPIED OR REPRODUCED MECHANICALLY, ELECTRONICALLY OR BY ANY MEANS WITHOUT WRITTEN PERMISSION FROM AFC INDUSTRIES, INC.  
 AFC INDUSTRIES, INC.

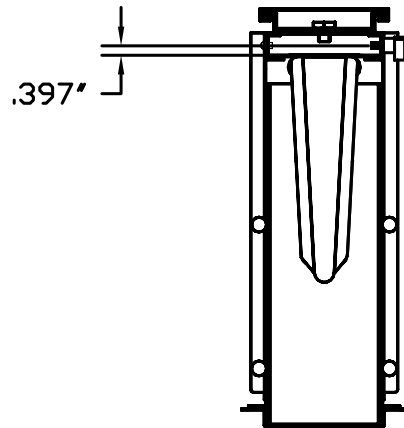
TOP VIEW



SIDE VIEW



FRONT VIEW



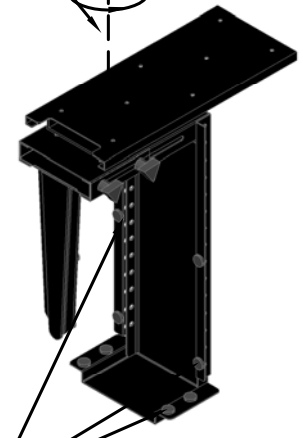
Mounting Holes

FRONT ISO VIEW



Pivot Point

FRONT ISO VIEW



Rubber Bumpers

NOTES :

MATERIAL :

DRAWN BY : VGM

DATE: 02/10/08

DESCRIPTION :

A P P R O V E D

TOLERANCES UNLESS OTHERWISE SPECIFIED

FRACTIONAL ±1/64  
 2 PLC. DEC. ±.01  
 3PLC. DEC. ±.001  
 ANGULAR ±.5°  
 FINISH √

ENG :

MFG :

QA :

SCALE : N.T.S.

SHEET : 1 OF 1

USED ON :

PATH :

F.ASSY\ACCESSORIES\CPU HOLDERS\CPU-17

PDF NAME:  
CPU-17

REV: SIZE  
A